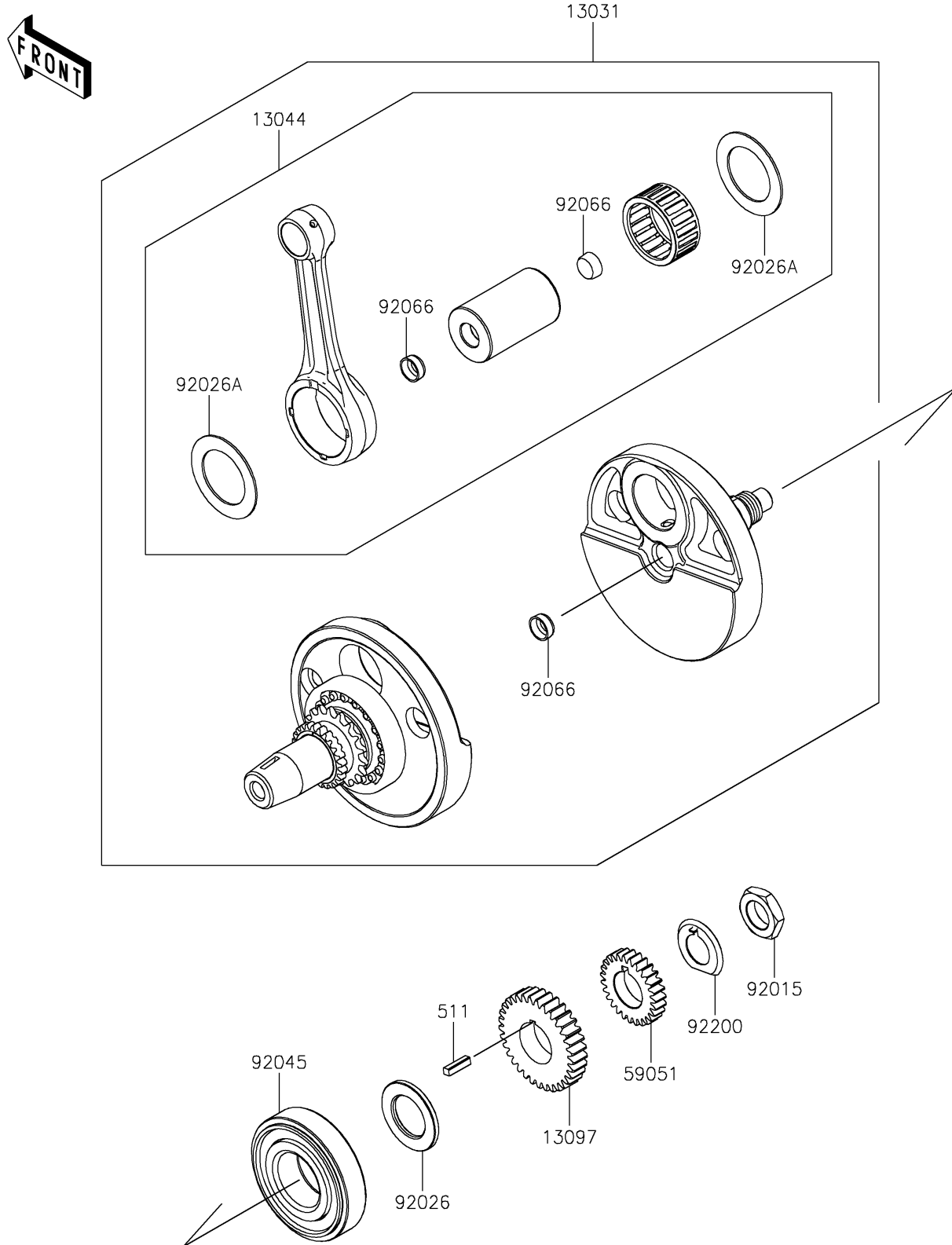


# 2025 KLR650 Adventure ABS

## PARTS DIAGRAM

### Crankshaft

E1321



# 2025 KLR650 Adventure ABS

## PARTS LIST

### Crankshaft

| ITEM NAME | PART NUMBER | QUANTITY |
|-----------|-------------|----------|
|-----------|-------------|----------|

---