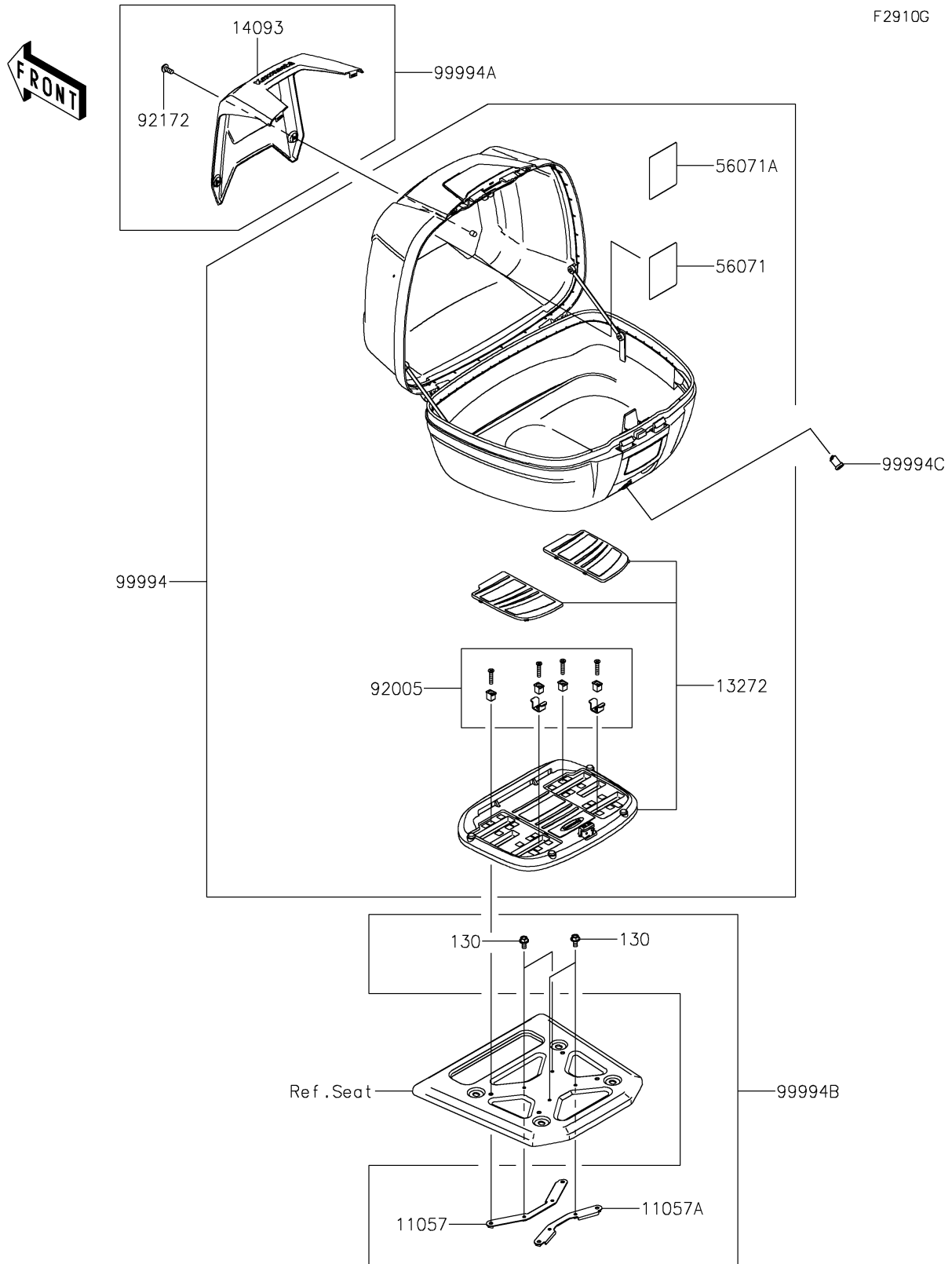


2024 KLR[®] 650 S ABS

PARTS DIAGRAM

Accessory(Topcase)



2024 KLR[®] 650 S ABS

PARTS LIST

Accessory(Topcase)

ITEM NAME

PART NUMBER

QUANTITY
