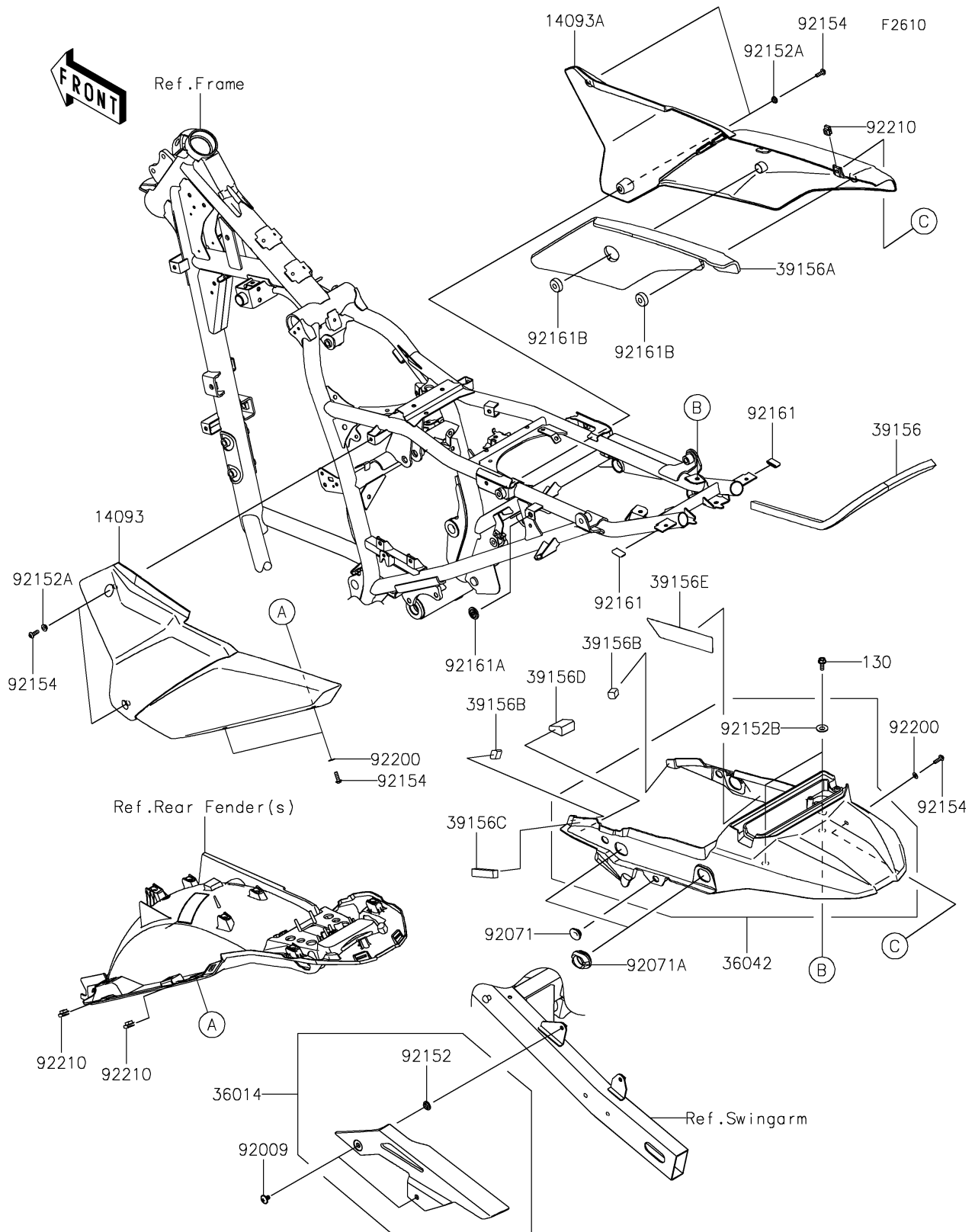


2024 KLR[®] 650 S ABS

PARTS DIAGRAM

Side Covers/Chain Cover



2024 KLR[®] 650 S ABS

PARTS LIST

Side Covers/Chain Cover

ITEM NAME	PART NUMBER	QUANTITY
-----------	-------------	----------
