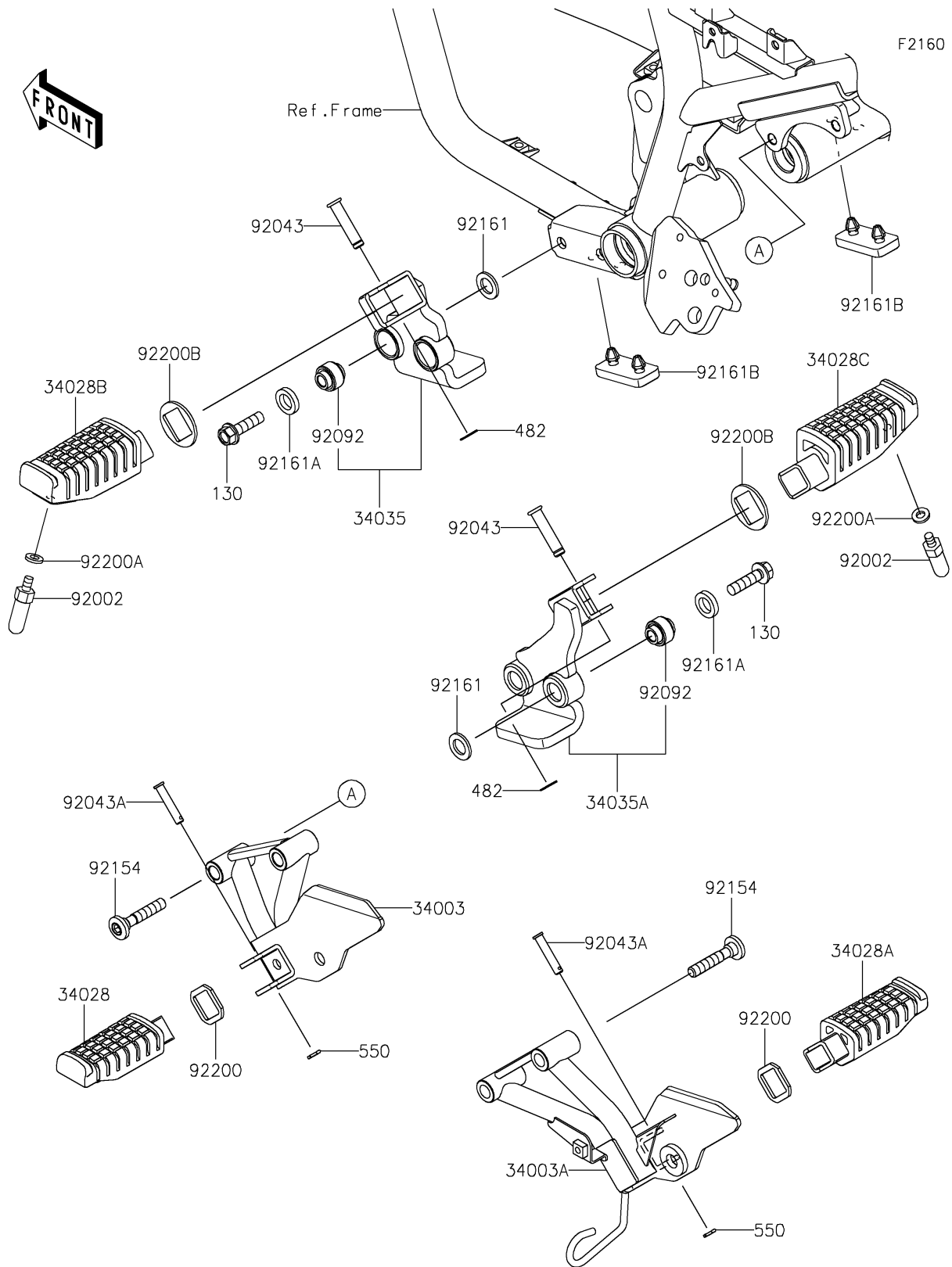


# 2023 KLR<sup>®</sup> 650 S

## PARTS DIAGRAM

### Footrests



# 2023 KLR<sup>®</sup> 650 S

## PARTS LIST

### Footrests

**ITEM NAME**

**PART NUMBER**

**QUANTITY**

---