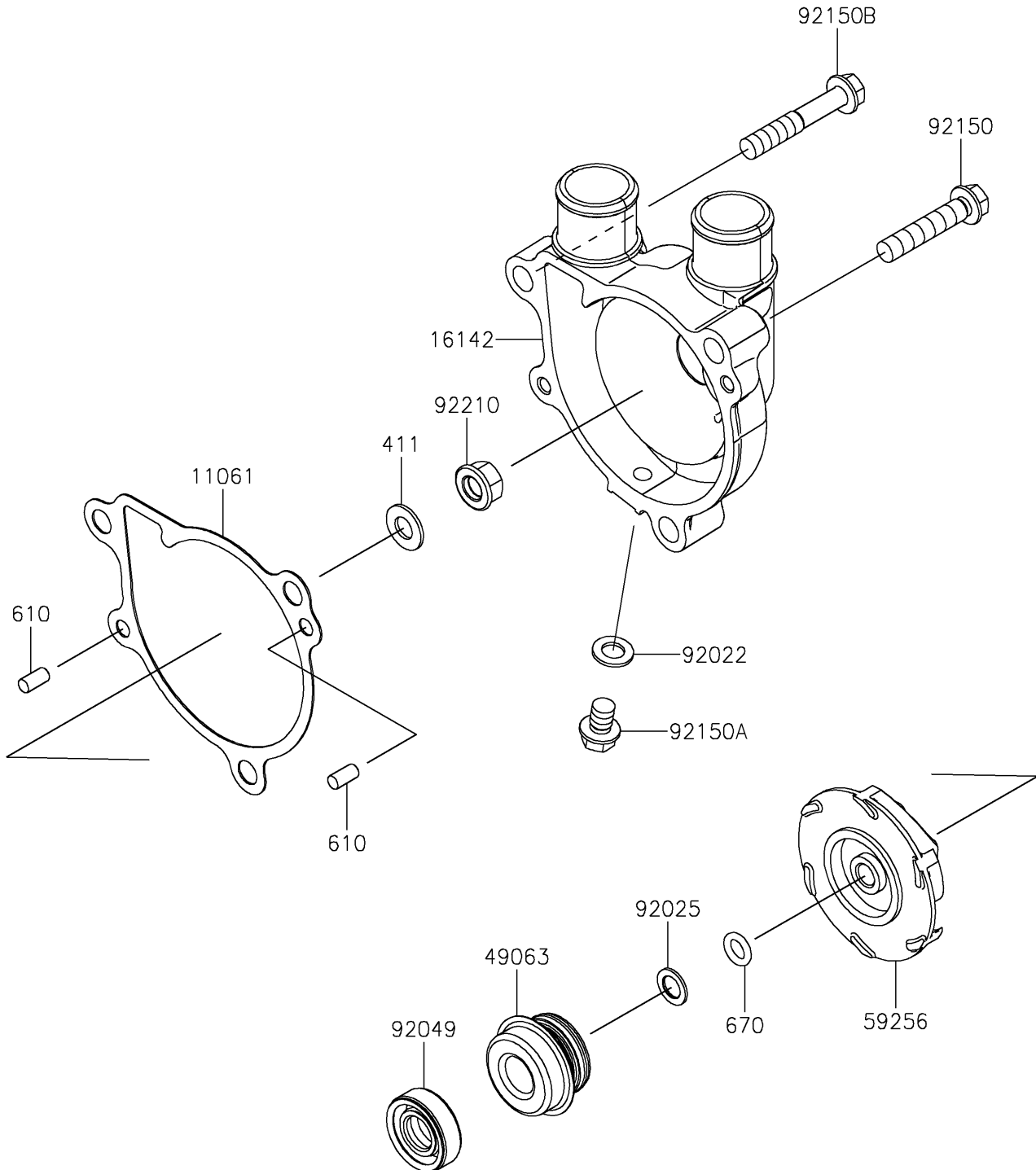


2025 KLR650 S ABS

PARTS DIAGRAM

Water Pump

E3031



2025 KLR650 S ABS

PARTS LIST

Water Pump

ITEM NAME

PART NUMBER

QUANTITY
