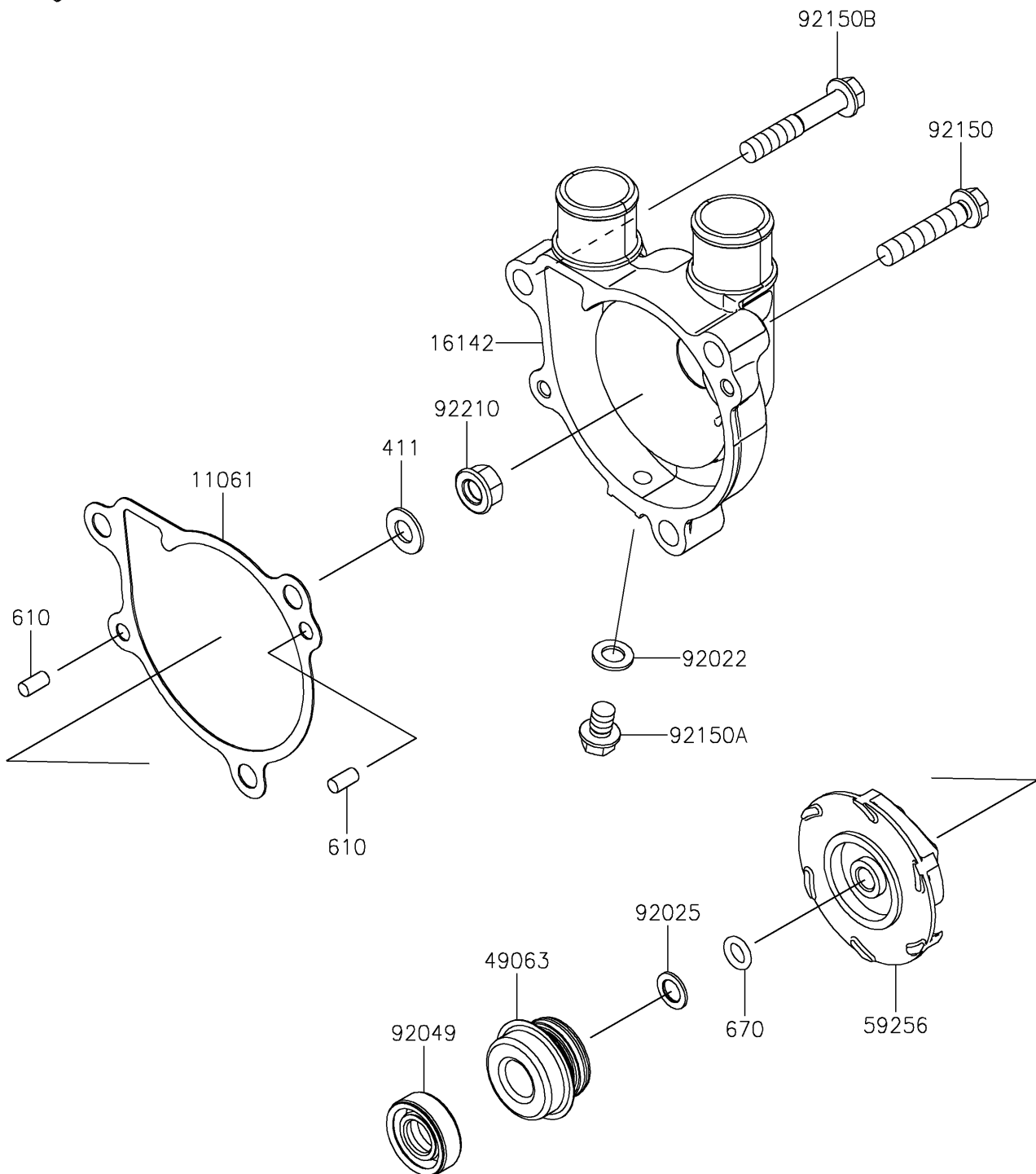


# 2023 KLR® 650 S ABS

## PARTS DIAGRAM

### Water Pump

E3031



# 2023 KLR<sup>®</sup> 650 S ABS

## PARTS LIST

### Water Pump

**ITEM NAME**

**PART NUMBER**

**QUANTITY**

---