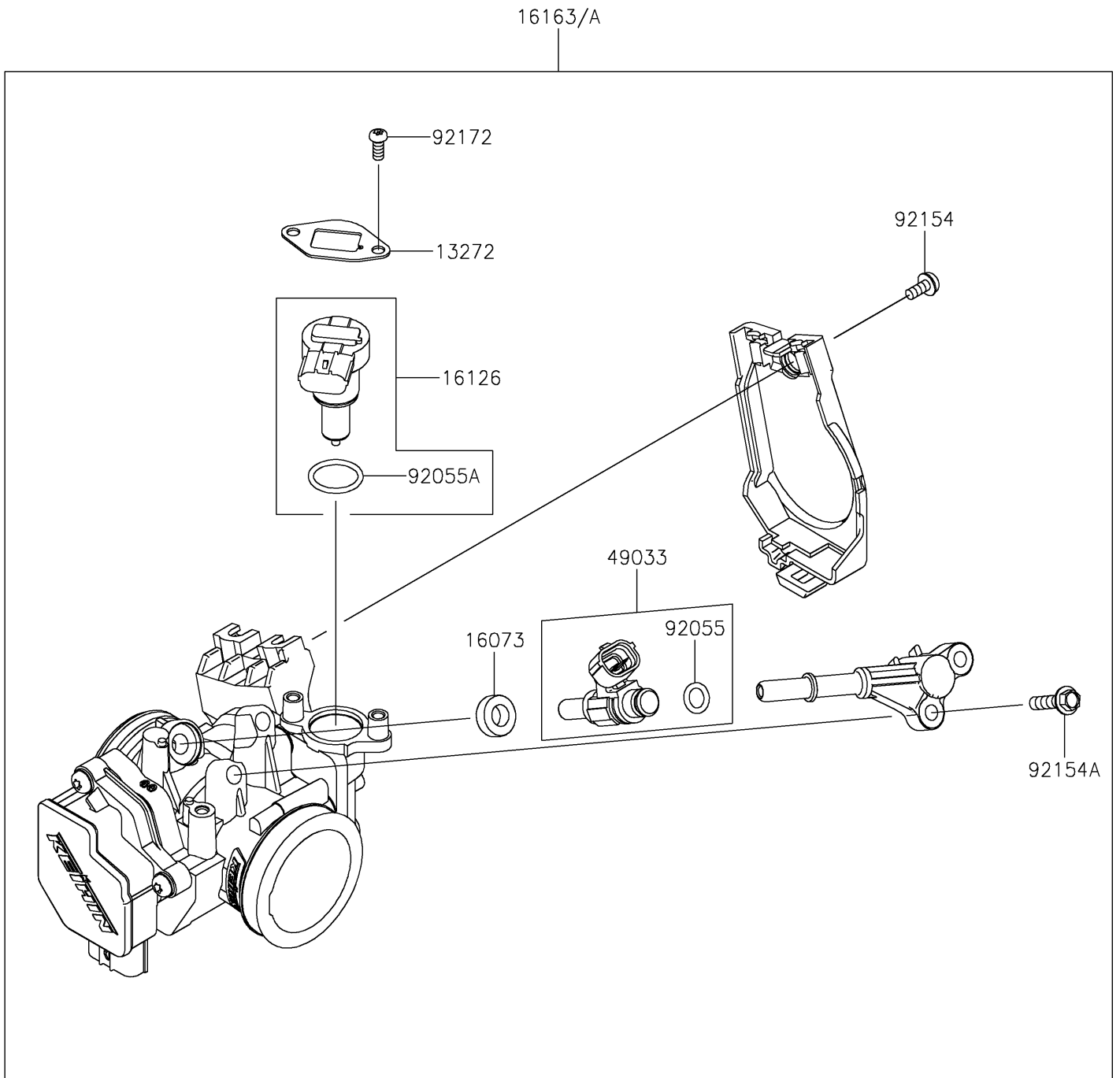


# 2024 KLR<sup>®</sup> 650 S ABS

## PARTS DIAGRAM

### Throttle

E1510



# 2024 KLR<sup>®</sup> 650 S ABS

## PARTS LIST

### Throttle

**ITEM NAME**

**PART NUMBER**

**QUANTITY**

---