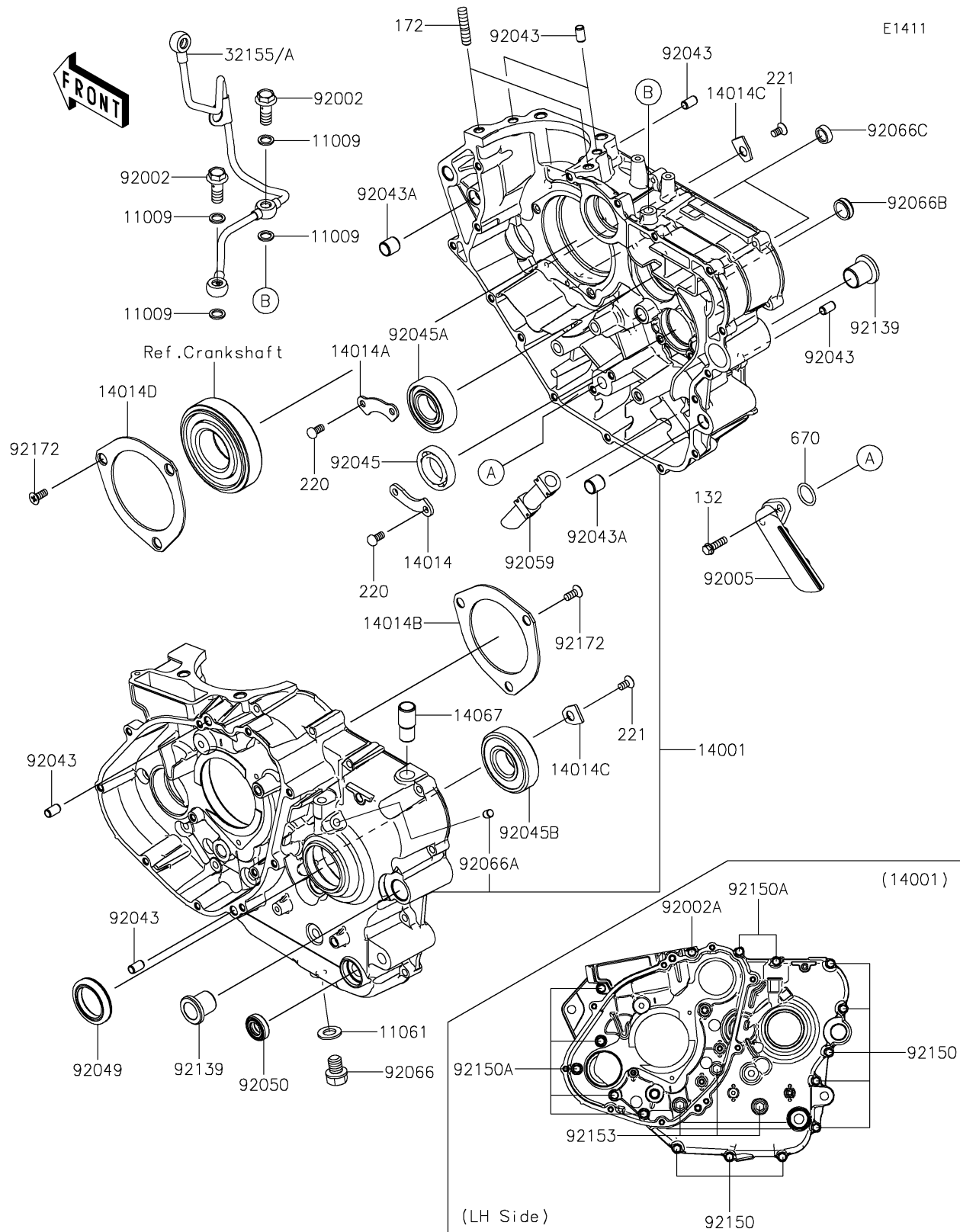


2024 KLR® 650 S ABS

PARTS DIAGRAM

Crankcase



2024 KLR[®] 650 S ABS

PARTS LIST

Crankcase

ITEM NAME

PART NUMBER

QUANTITY
