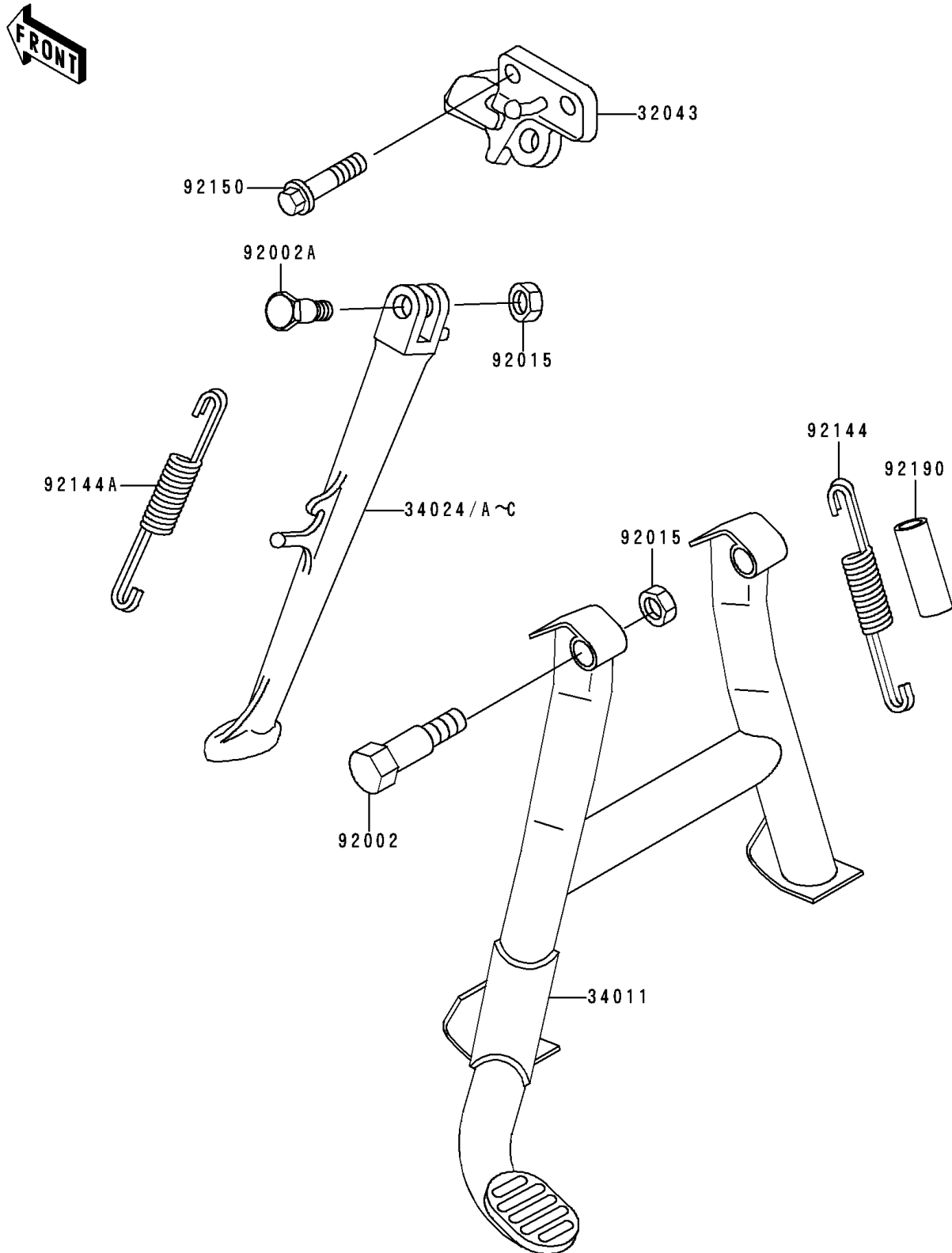


# 1994 Ninja<sup>®</sup> ZX<sup>™</sup>-6

## PARTS DIAGRAM

### Stand(s)

F 2190



# 1994 Ninja<sup>®</sup> ZX<sup>™</sup>-6

## PARTS LIST

Stand(s)

**ITEM NAME**

**PART NUMBER**

**QUANTITY**

---