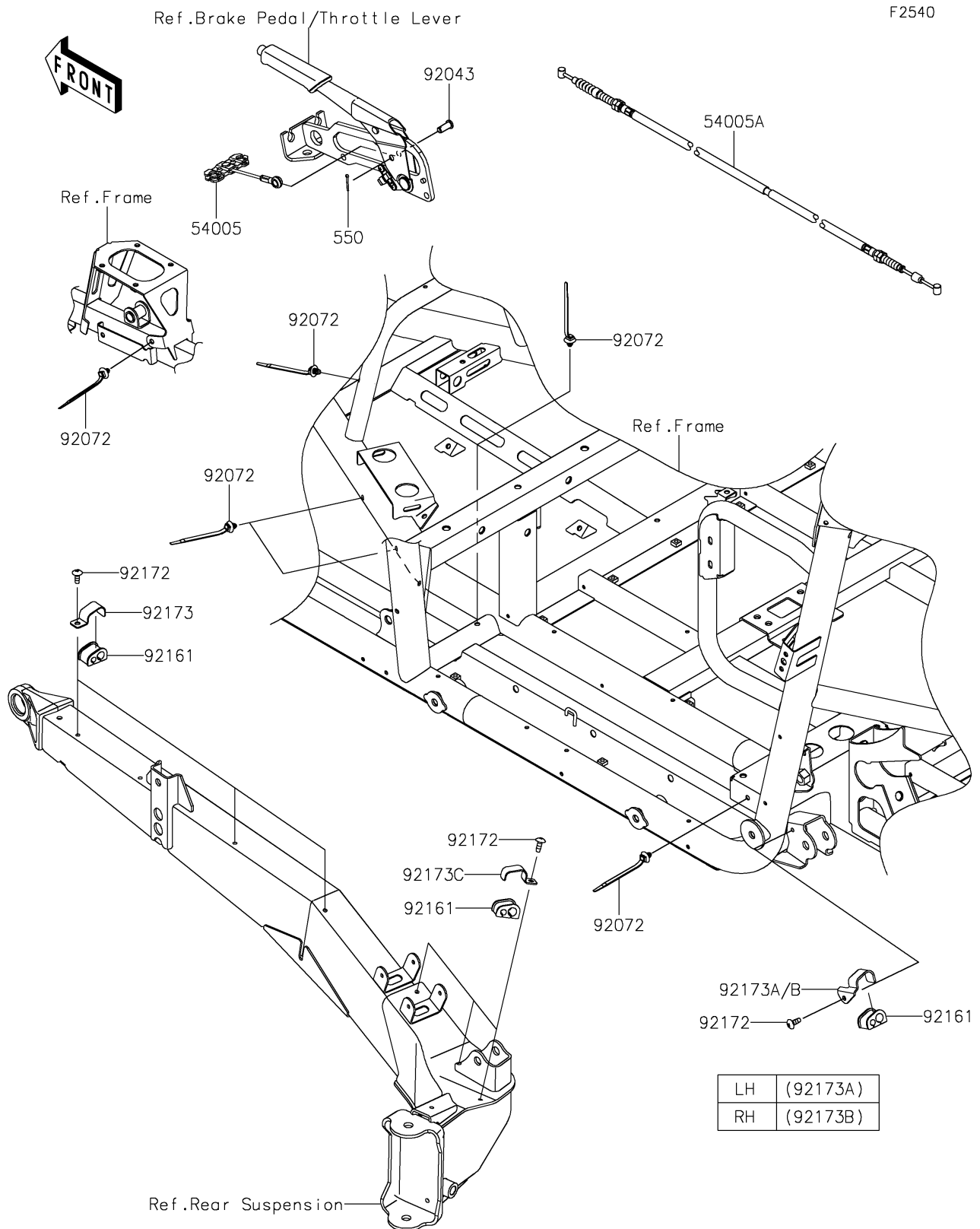


# 2024 TERYX® KRX4™ 1000 SE eS

## PARTS DIAGRAM

### Cables



LH	(92173A)
RH	(92173B)

# 2024 TERYX® KRX4™ 1000 SE eS



## PARTS LIST

### Cables

ITEM NAME	PART NUMBER	QUANTITY
-----------	-------------	----------

---