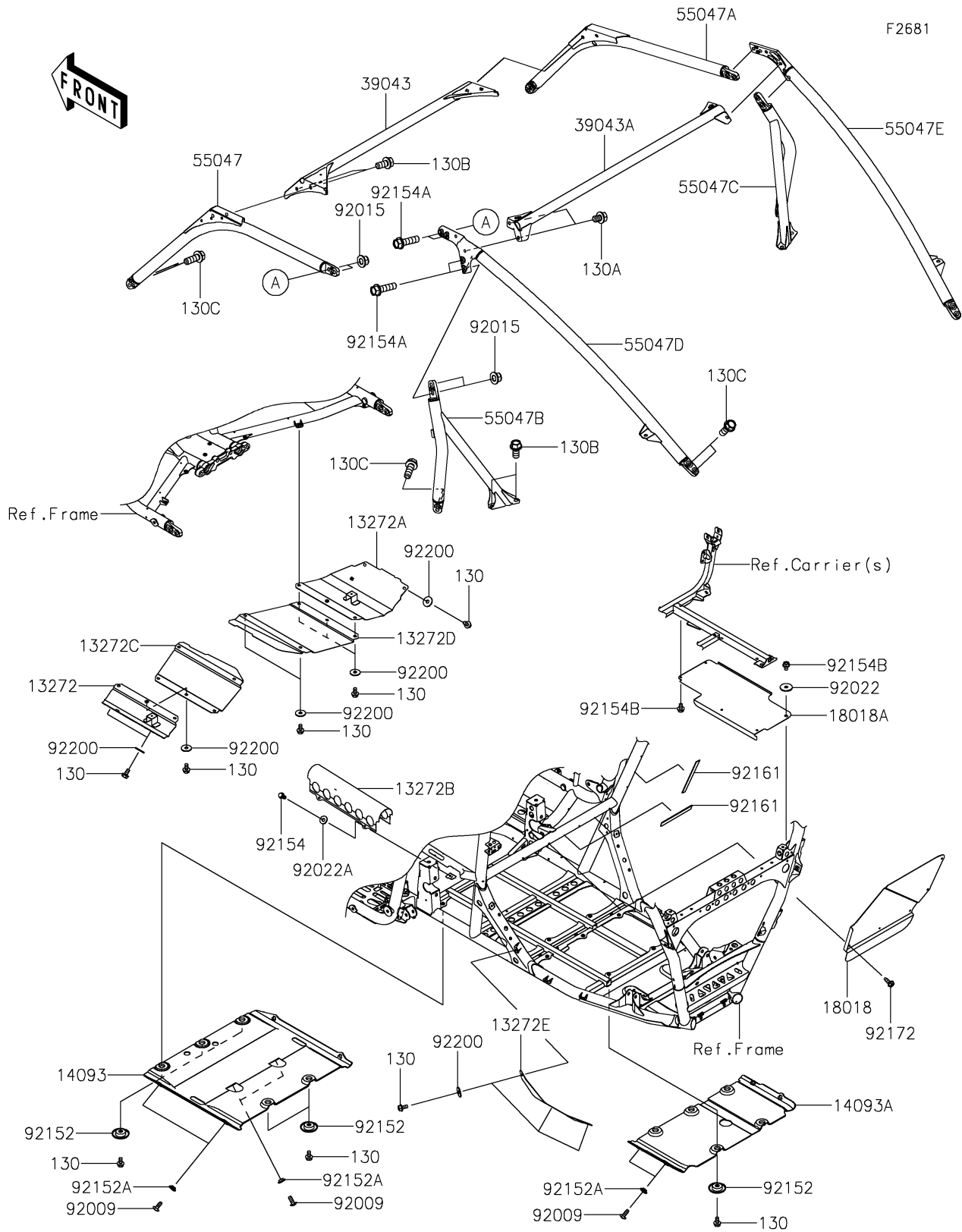


2022 TERYX KRX® 1000

PARTS DIAGRAM

Guards/Cab Frame



2022 TERYX KRX® 1000

PARTS LIST

Guards/Cab Frame

ITEM NAME	PART NUMBER	QUANTITY
PLATE,SKID,FR,LH (Ref # 13272)	13272-2638	1
PLATE,SKID,FR,RH (Ref # 13272A)	13272-2639	1
PLATE,DRIVE SHAFT (Ref # 13272B)	13272-2642	1
PLATE,SKID,FR,CNT,LH (Ref # 13272C)	13272-2737	1
PLATE,SKID,FR,CNT,RH (Ref # 13272D)	13272-2738	1
PLATE,CVT COVER (Ref # 13272E)	13272-3797	1
COVER,SKID,CNT (Ref # 14093)	14093-0811	1
COVER,SKID,RR (Ref # 14093A)	14093-0877	1
PLATE-HEAT GUARD (Ref # 18018)	18018-0616	1
PLATE-HEAT GUARD (Ref # 18018A)	18018-0617	1
CROSSMEMBER-COMP,FR,T.BLACK (Ref # 39043)	39043-0031-388	1
CROSSMEMBER-COMP,RR,T.BLACK (Ref # 39043A)	39043-0032-388	1
BAR-COMP,A-PILLAR,LH,T.BLACK (Ref # 55047)	55047-0378-388	1
BAR-COMP,A-PILLAR,RH,T.BLACK (Ref # 55047A)	55047-0379-388	1
BAR-COMP,B-PILLAR,LH,T.BLACK (Ref # 55047B)	55047-0380-388	1
BAR-COMP,B-PILLAR,RH,T.BLACK (Ref # 55047C)	55047-0381-388	1
BAR-COMP,C-PILLAR,LH,T.BLACK (Ref # 55047D)	55047-0382-388	1
BAR-COMP,C-PILLAR,RH,T.BLACK (Ref # 55047E)	55047-0383-388	1
SCREW,TAPPING,6X16 (Ref # 92009)	92009-1166	10
NUT,LOCK,FLANGED,12MM (Ref # 92015)	92015-1433	8
WASHER,6.5X24X2 (Ref # 92022)	92022-1690	1
WASHER (Ref # 92022A)	92022-2247	4
COLLAR (Ref # 92152)	92152-0784	10
COLLAR,6.3X9.5X4.1 (Ref # 92152A)	92152-1571	10
BOLT,FLANGED,6X12 (Ref # 92154)	92154-2922	4
BOLT,FLANGED,12X45 (Ref # 92154A)	92154-4096	8
BOLT,FLANGED,6X10 (Ref # 92154B)	92154-4159	5
DAMPER,10X85X1 (Ref # 92161)	92161-1964	3
SCREW,TAPPING,6X16 (Ref # 92172)	92172-0869	5

2022 TERYX KRX[®] 1000

PARTS LIST

Guards/Cab Frame

ITEM NAME	PART NUMBER	QUANTITY
WASHER,6.5X20X1.6 (Ref # 92200)	92200-0283	17
BOLT-FLANGED,6X12 (Ref # 130)	130CA0612	27
BOLT-FLANGED,12X16 (Ref # 130A)	130CA1216	4
BOLT-FLANGED,12X25 (Ref # 130B)	130CA1225	8
BOLT-FLANGED,12X35 (Ref # 130C)	130CA1235	12