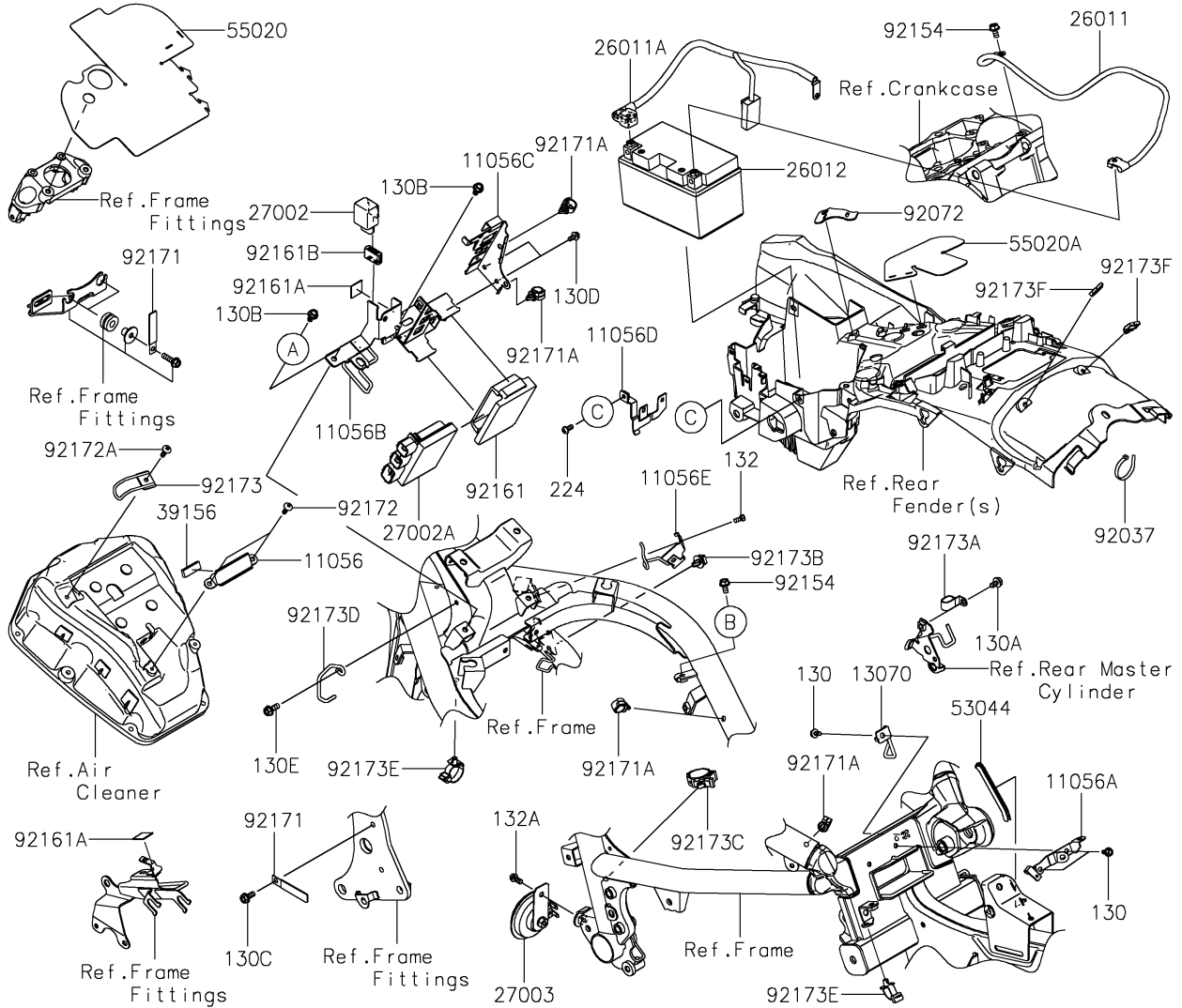
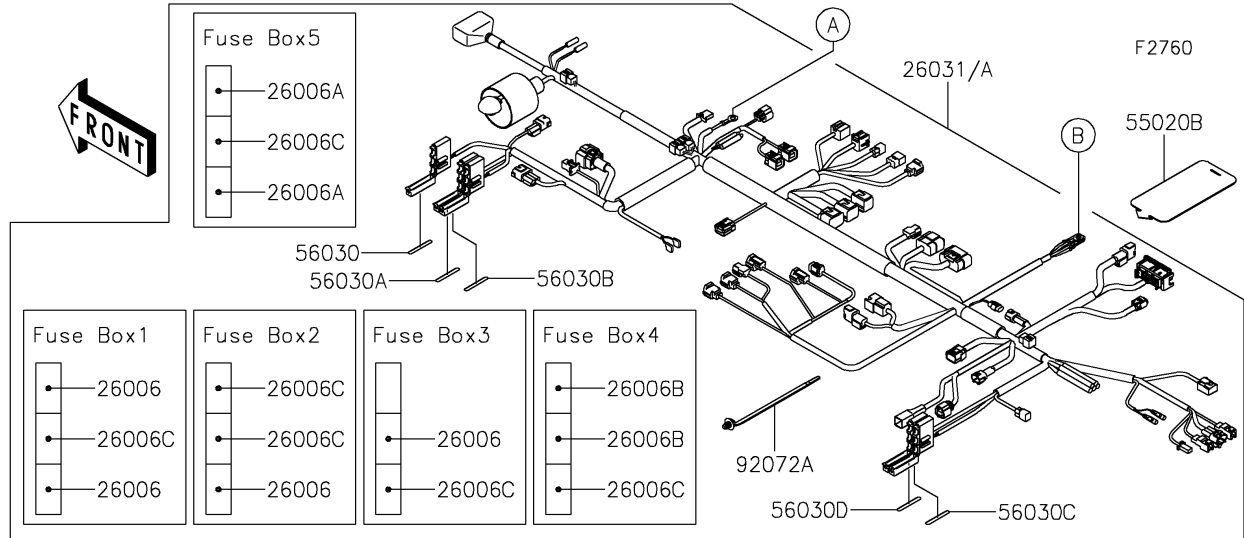


# 2024 Vulcan S

## PARTS DIAGRAM

### Chassis Electrical Equipment



# 2024 Vulcan S

## PARTS LIST

### Chassis Electrical Equipment



ITEM NAME	PART NUMBER	QUANTITY
-----------	-------------	----------

---