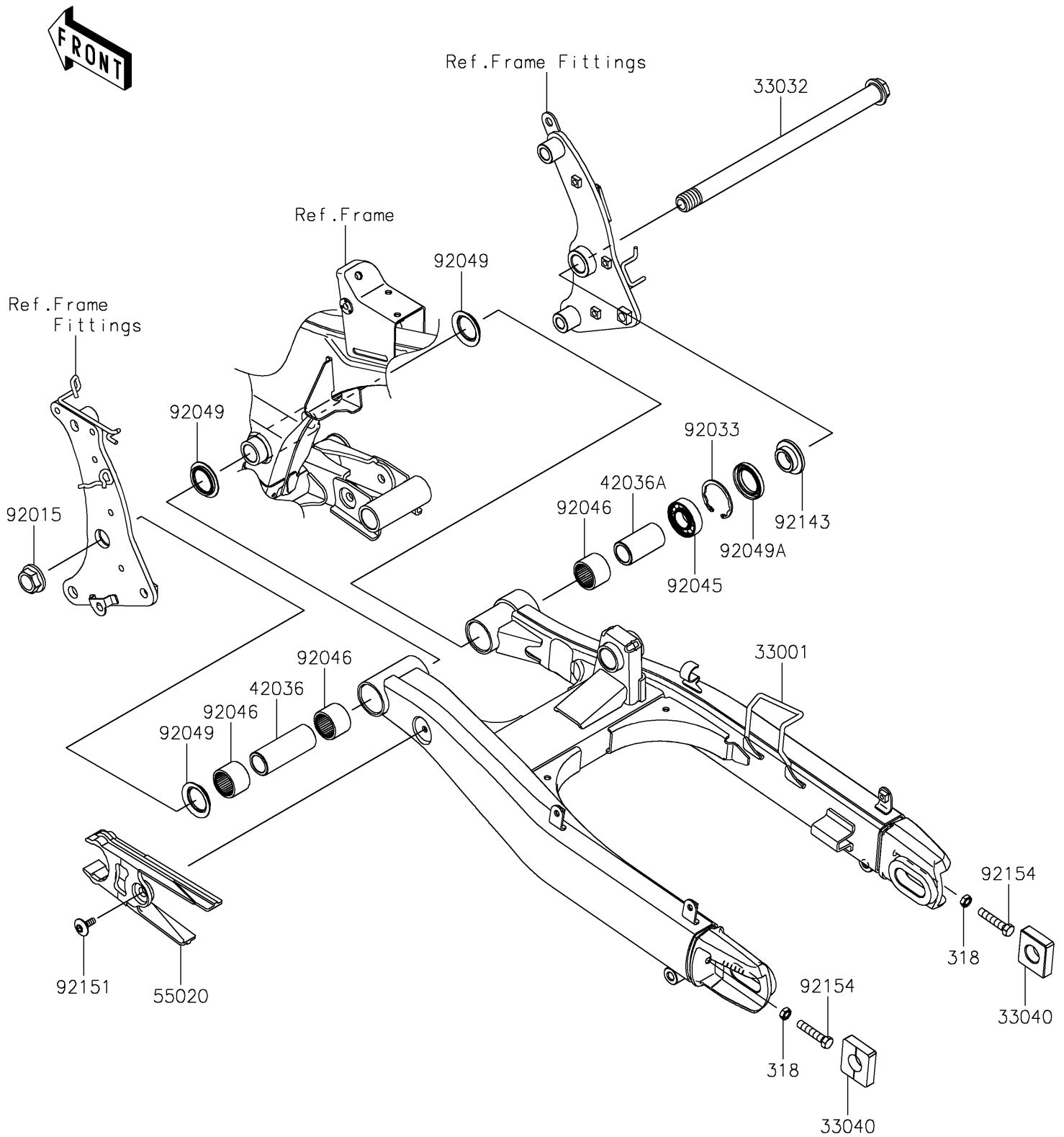


2024 Vulcan S

PARTS DIAGRAM

Swingarm

F2141



2024 Vulcan S

PARTS LIST

Swingarm

| ITEM NAME | PART NUMBER | QUANTITY |
|--|----------------|----------|
| ARM-COMP-SWING,F.S.BLACK (Ref # 33001) | 33001-0625-18R | 1 |
| SHAFT-SWING ARM,20X300 (Ref # 33032) | 33032-0042 | 1 |
| ADJUSTER-CHAIN (Ref # 33040) | 33040-1109 | 2 |
| SLEEVE,LH,20.1X28X75.8 (Ref # 42036) | 42036-0706 | 1 |
| SLEEVE,RH,20.1X28X52.3 (Ref # 42036A) | 42036-0707 | 1 |
| GUARD,CHAIN (Ref # 55020) | 55020-0985 | 1 |
| NUT,FLANGED,20MM (Ref # 92015) | 92015-1724 | 1 |
| RING-SNAP,42MM (Ref # 92033) | 92033-1041 | 1 |
| BEARING-BALL,6004UL11 (Ref # 92045) | 92045-0948 | 1 |
| BEARING-NEEDLE,BM2824 (Ref # 92046) | 92046-1202 | 3 |
| SEAL-OIL (Ref # 92049) | 92049-0132 | 3 |
| SEAL-OIL (Ref # 92049A) | 92049-0138 | 1 |
| COLLAR,SWING ARM,RH,L=12.5 (Ref # 92143) | 92143-1727 | 1 |
| BOLT,SOCKET,6X18 (Ref # 92151) | 92151-1149 | 1 |
| BOLT,8X40 (Ref # 92154) | 92154-0837 | 2 |
| NUT-HEX-SMALL,8MM (Ref # 318) | 318BA0800 | 2 |