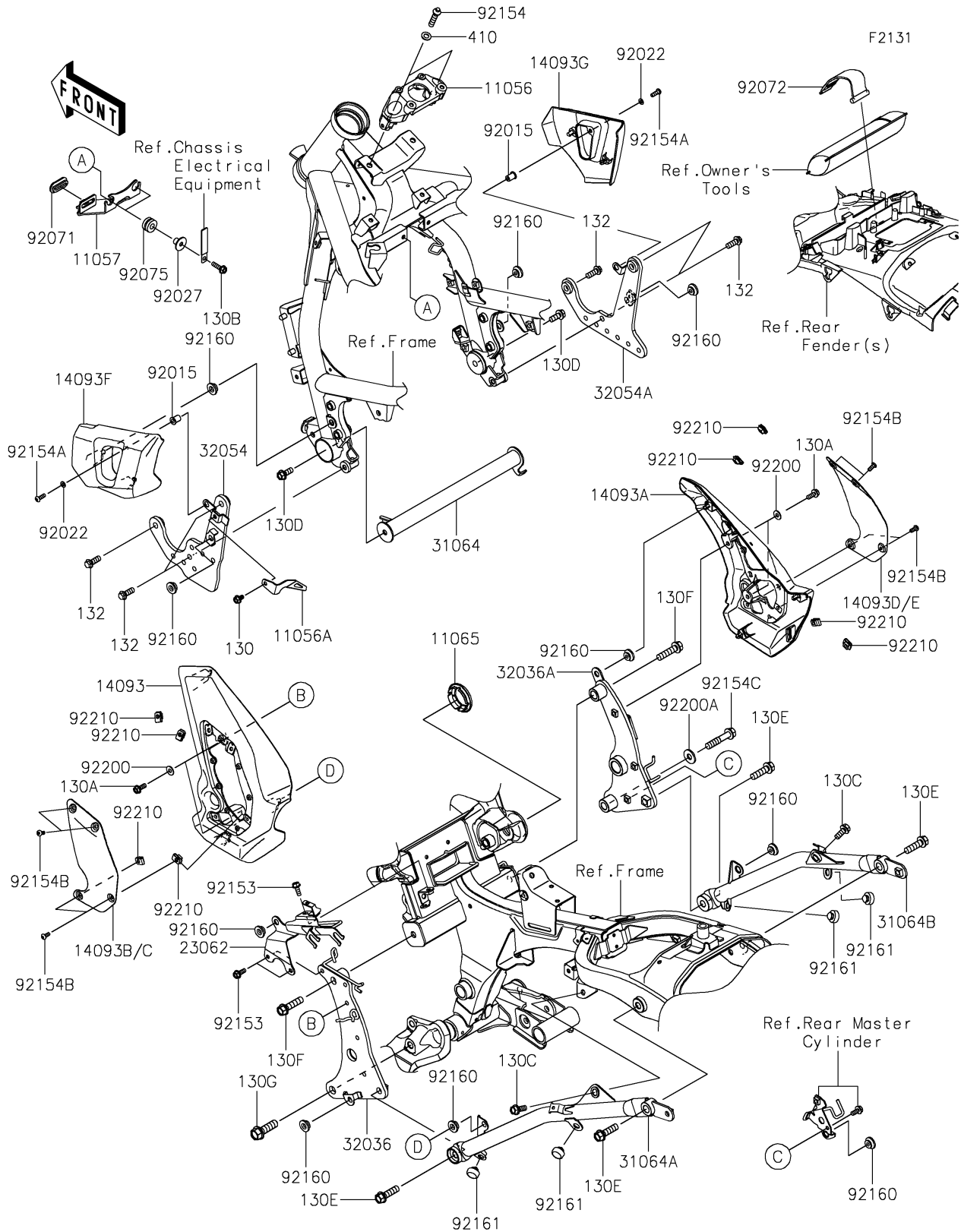


# 2025 Vulcan S

## PARTS DIAGRAM

### Frame Fittings



# 2025 Vulcan S

## PARTS LIST Frame Fittings

**ITEM NAME**

**PART NUMBER**

**QUANTITY**

---