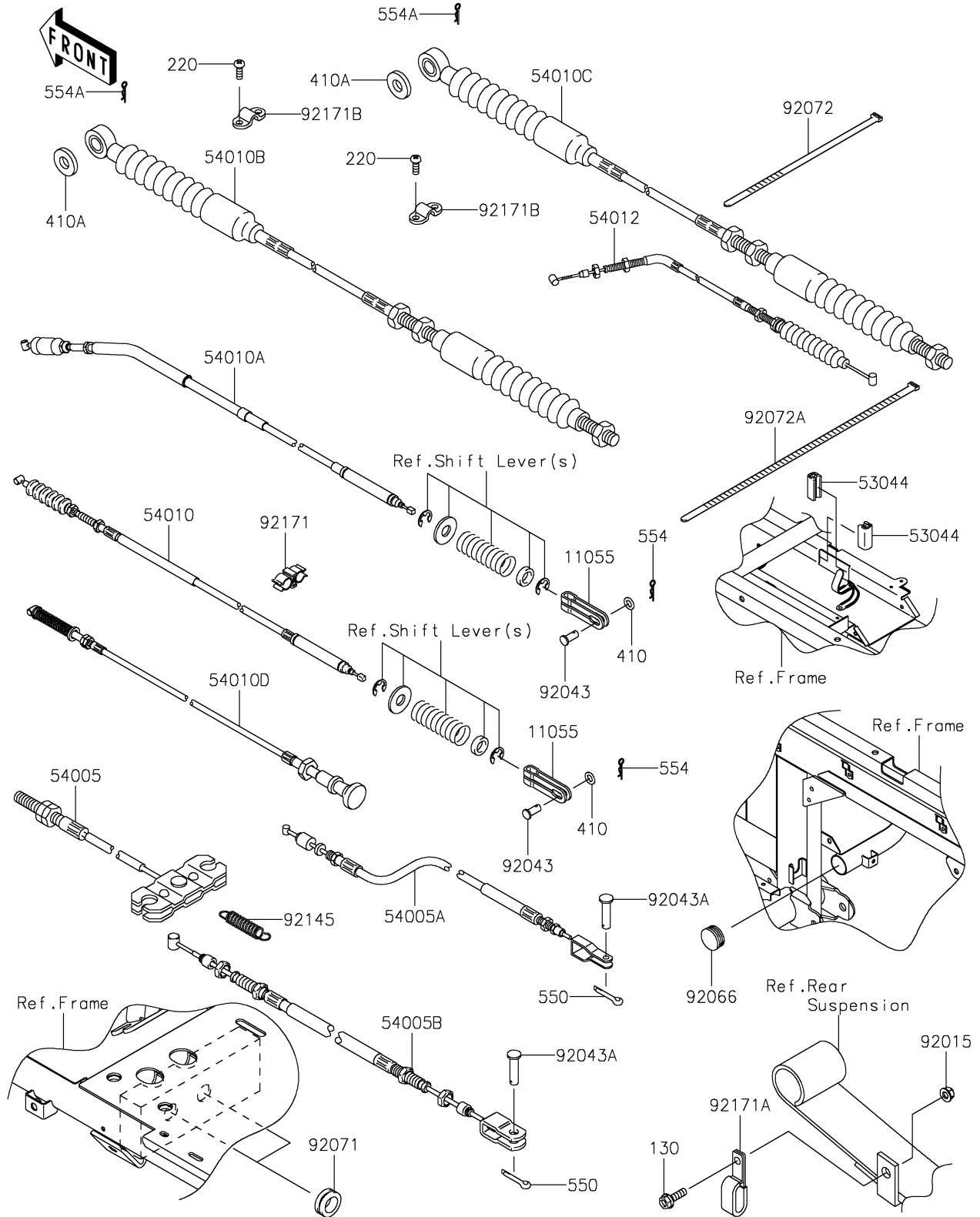


# 2024 MULE™ 4010 TRANS4x4®

## PARTS DIAGRAM

### Cables

F2540



# 2024 MULE™ 4010 TRANS4x4®



## PARTS LIST

### Cables

ITEM NAME	PART NUMBER	QUANTITY
-----------	-------------	----------