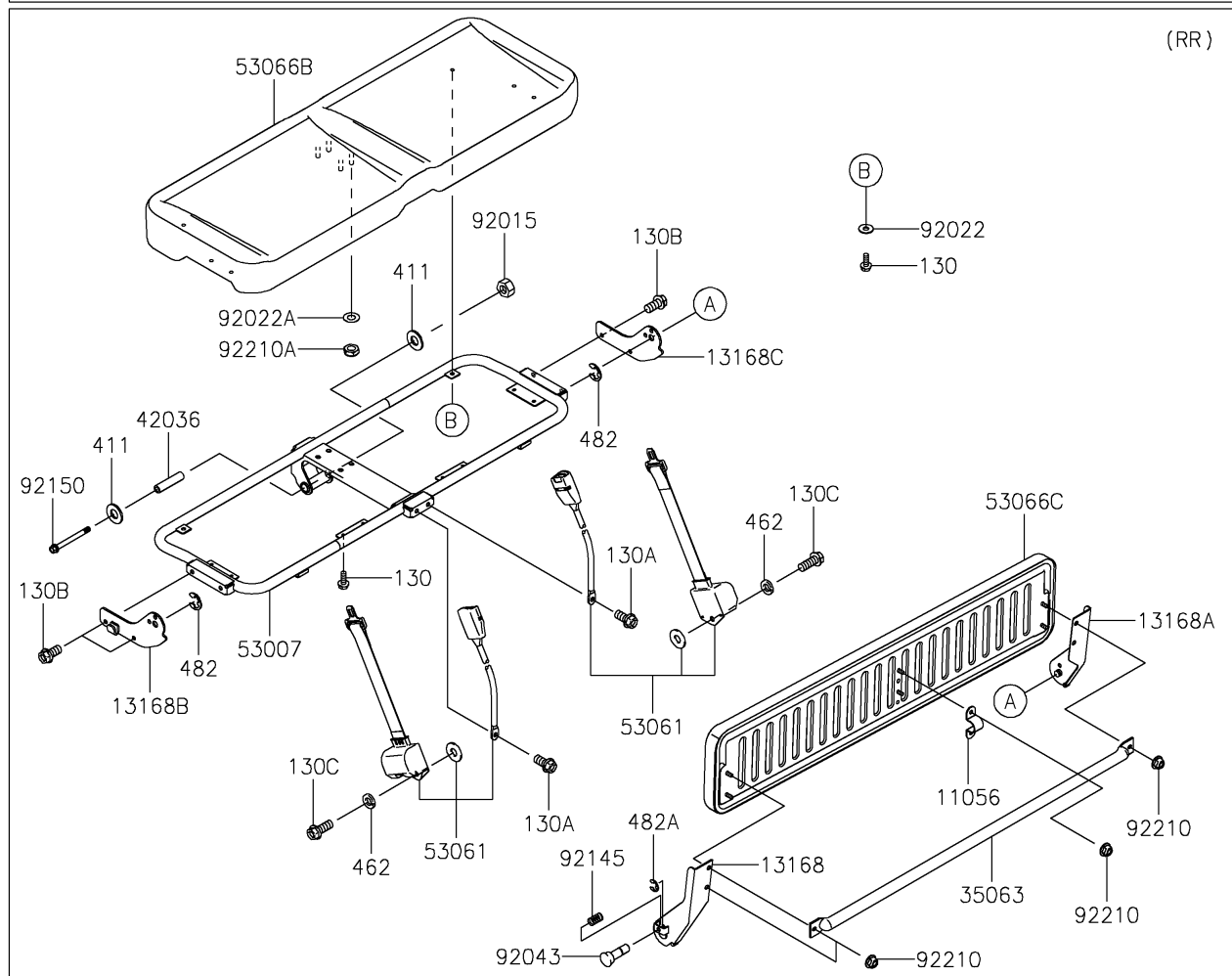
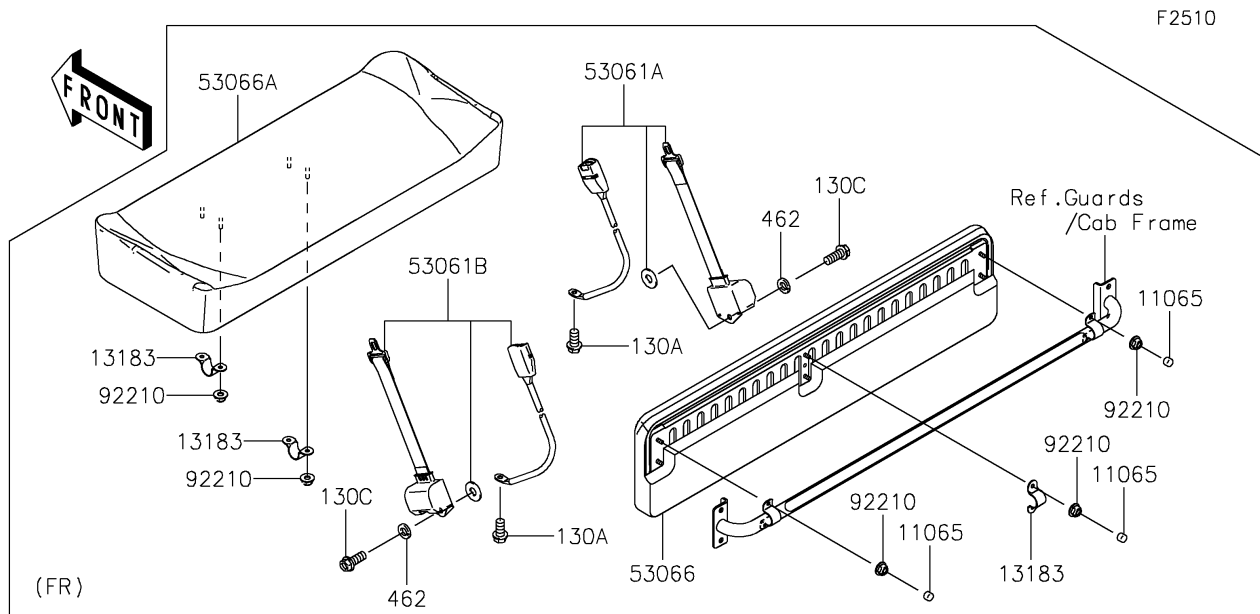


# 2024 MULE™ 4010 TRANS4x4®

## PARTS DIAGRAM

### Seat



# 2024 MULE™ 4010 TRANS4x4®

## PARTS LIST

Seat



**ITEM NAME**

**PART NUMBER**

**QUANTITY**

---