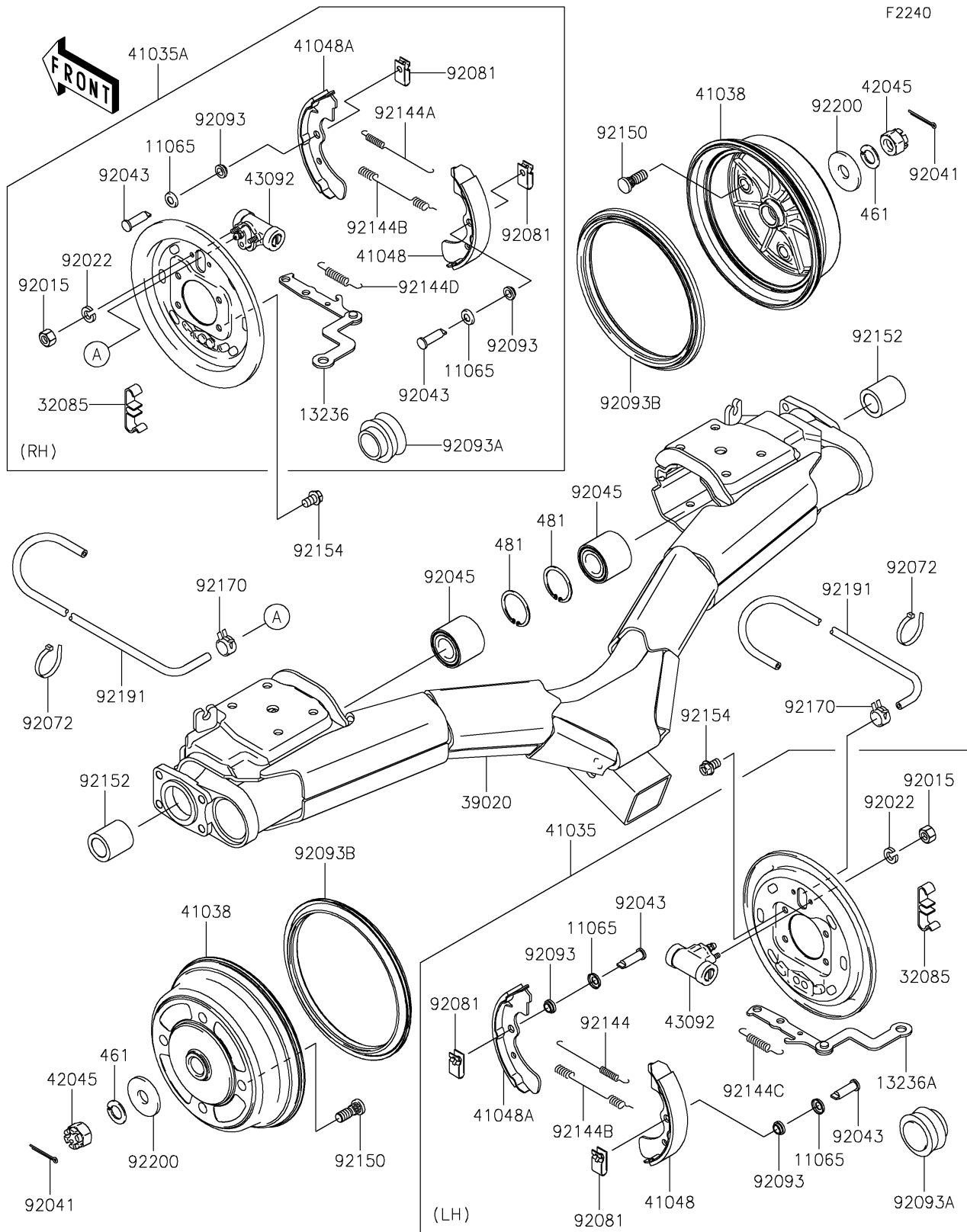


# 2024 MULE™ 4010 TRANS4x4®

## PARTS DIAGRAM

### Rear Hubs/Brakes



# 2024 MULE™ 4010 TRANS4x4®



## PARTS LIST

### Rear Hubs/Brakes

ITEM NAME	PART NUMBER	QUANTITY
-----------	-------------	----------

---