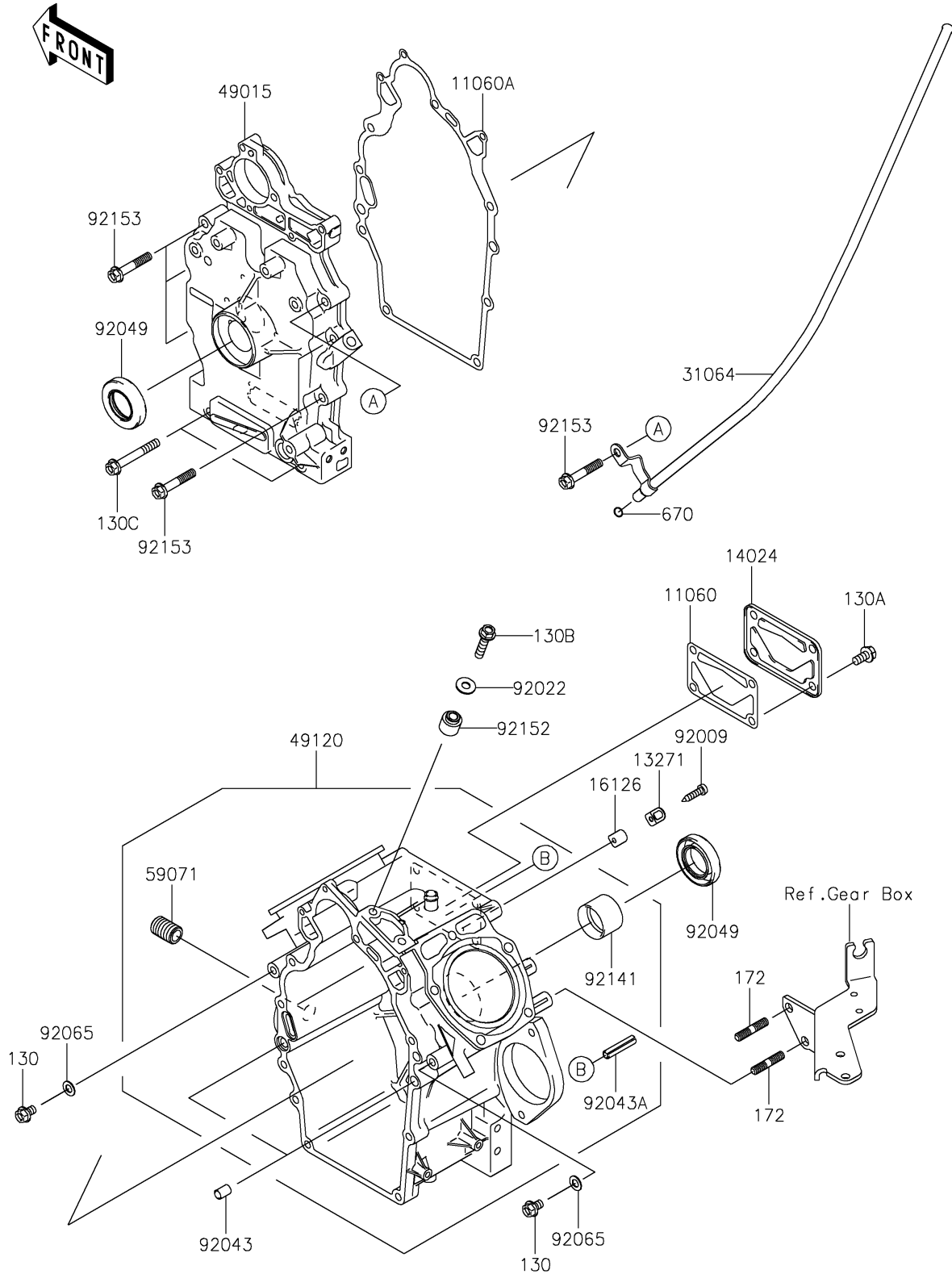


2024 MULE™ 4010 TRANS4x4®

PARTS DIAGRAM

Crankcase

E1411



2024 MULE™ 4010 TRANS4x4®

PARTS LIST

Crankcase

ITEM NAME	PART NUMBER	QUANTITY
-----------	-------------	----------
