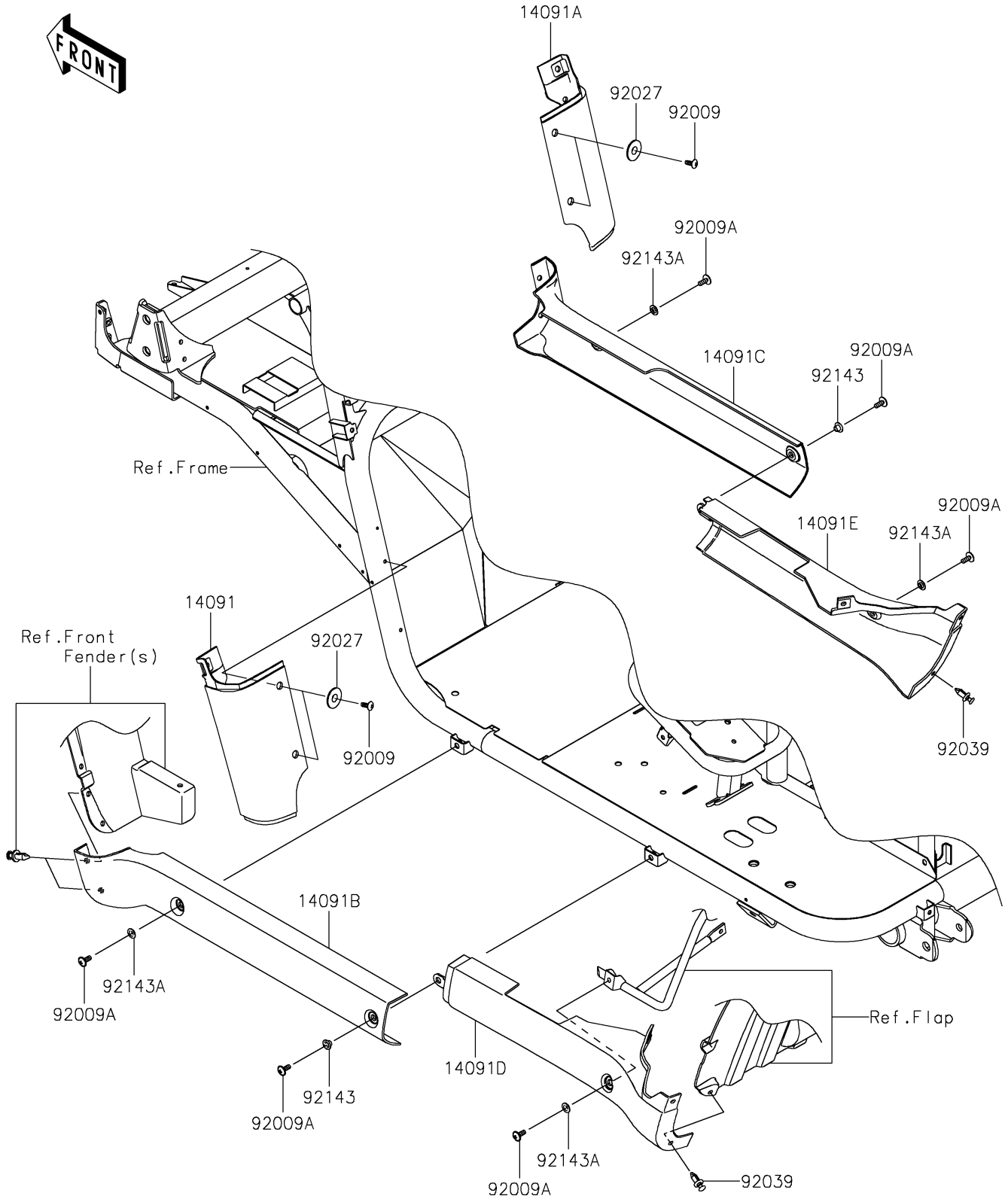


# 2025 MULE™ 4010 4x4

## PARTS DIAGRAM

### Side Covers/Chain Cover

F2610



# 2025 MULE™ 4010 4x4

## PARTS LIST

Side Covers/Chain Cover

**ITEM NAME**

**PART NUMBER**

**QUANTITY**

---