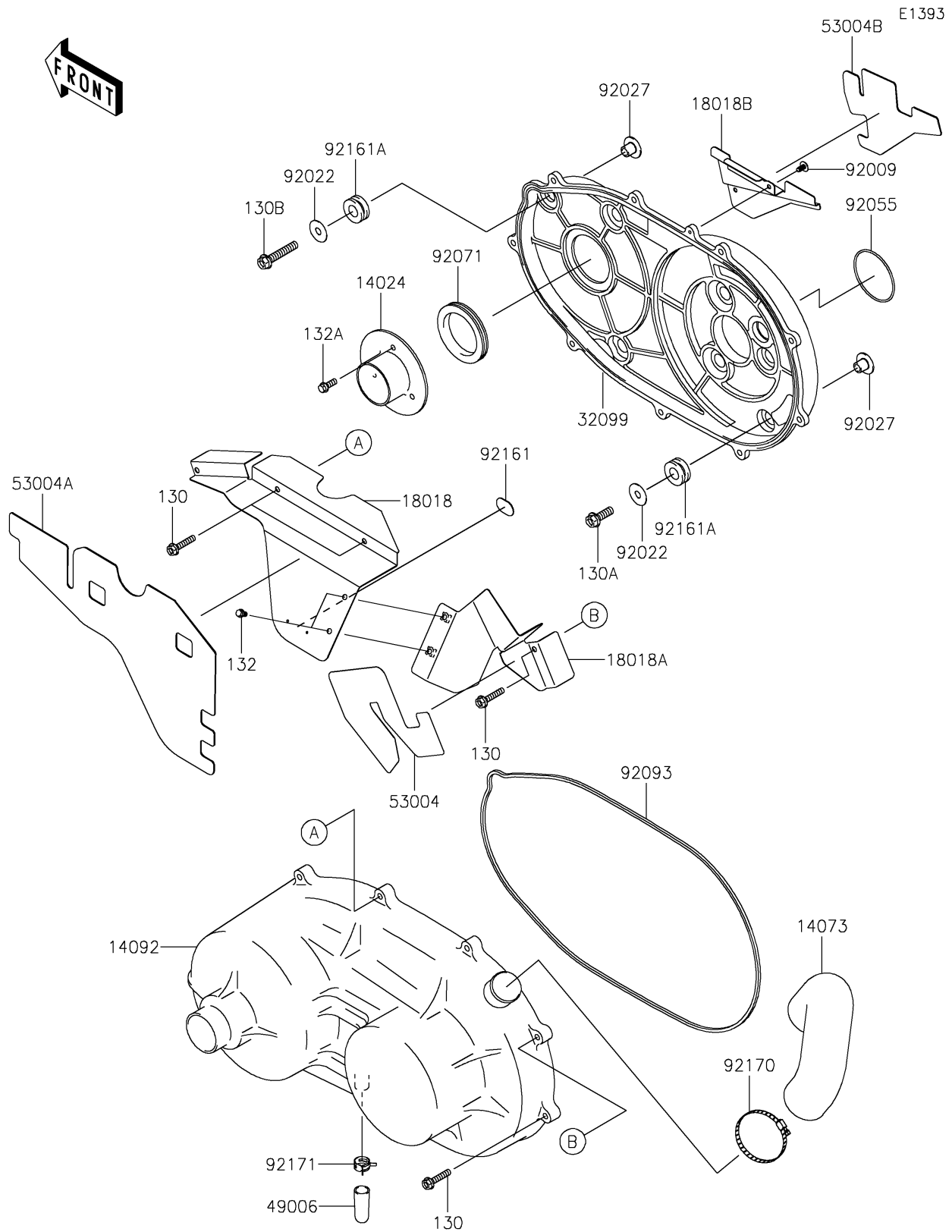


2025 MULE™ 4010 4x4

PARTS DIAGRAM

Converter Cover



2025 MULE™ 4010 4x4

PARTS LIST

Converter Cover



ITEM NAME

PART NUMBER

QUANTITY
