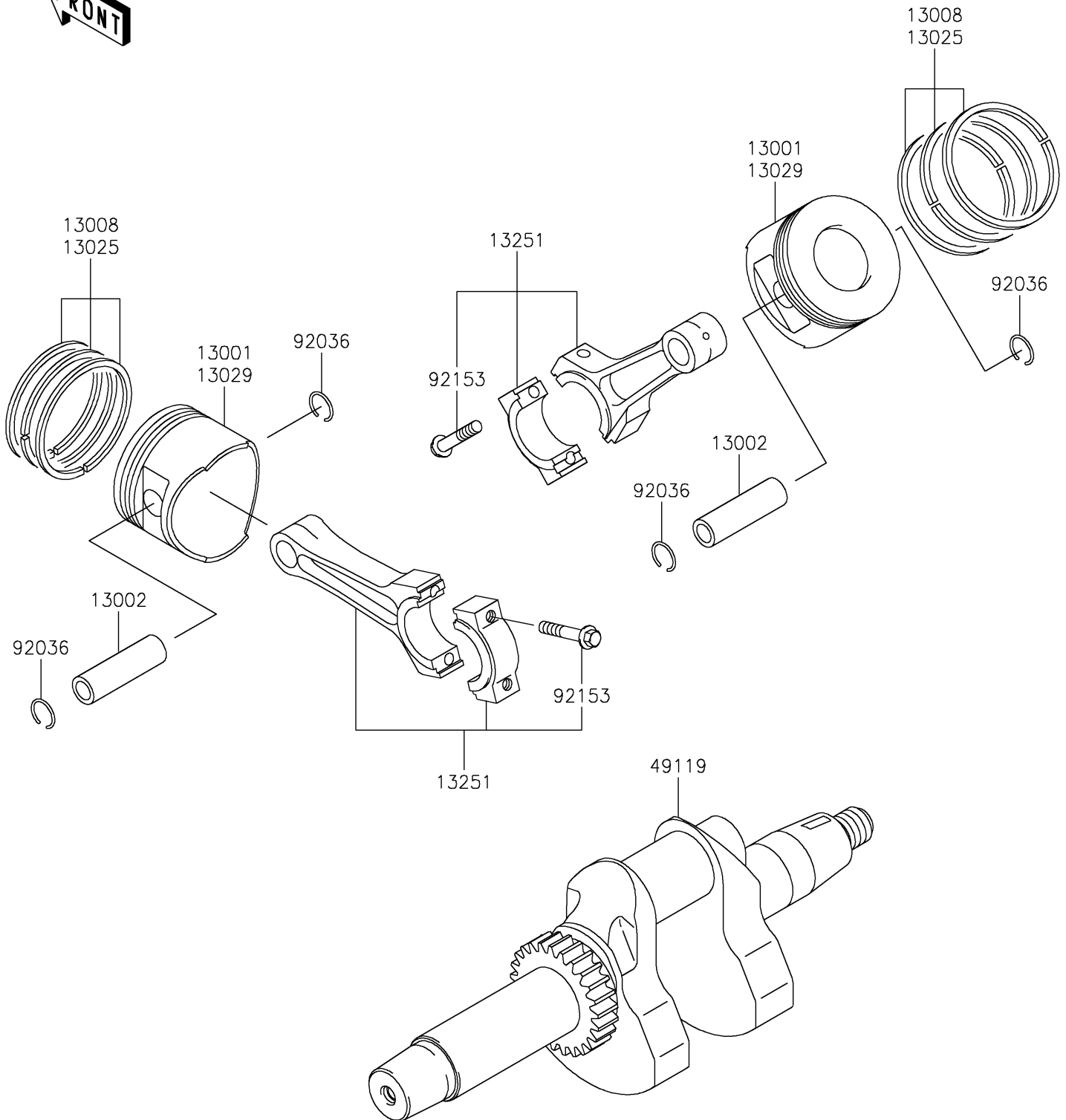


# 2025 MULE™ 4010 4x4

## PARTS DIAGRAM

### Crankshaft/Piston(s)

E1320



# 2025 MULE™ 4010 4x4

## PARTS LIST

Crankshaft/Piston(s)

**ITEM NAME**

**PART NUMBER**

**QUANTITY**

---