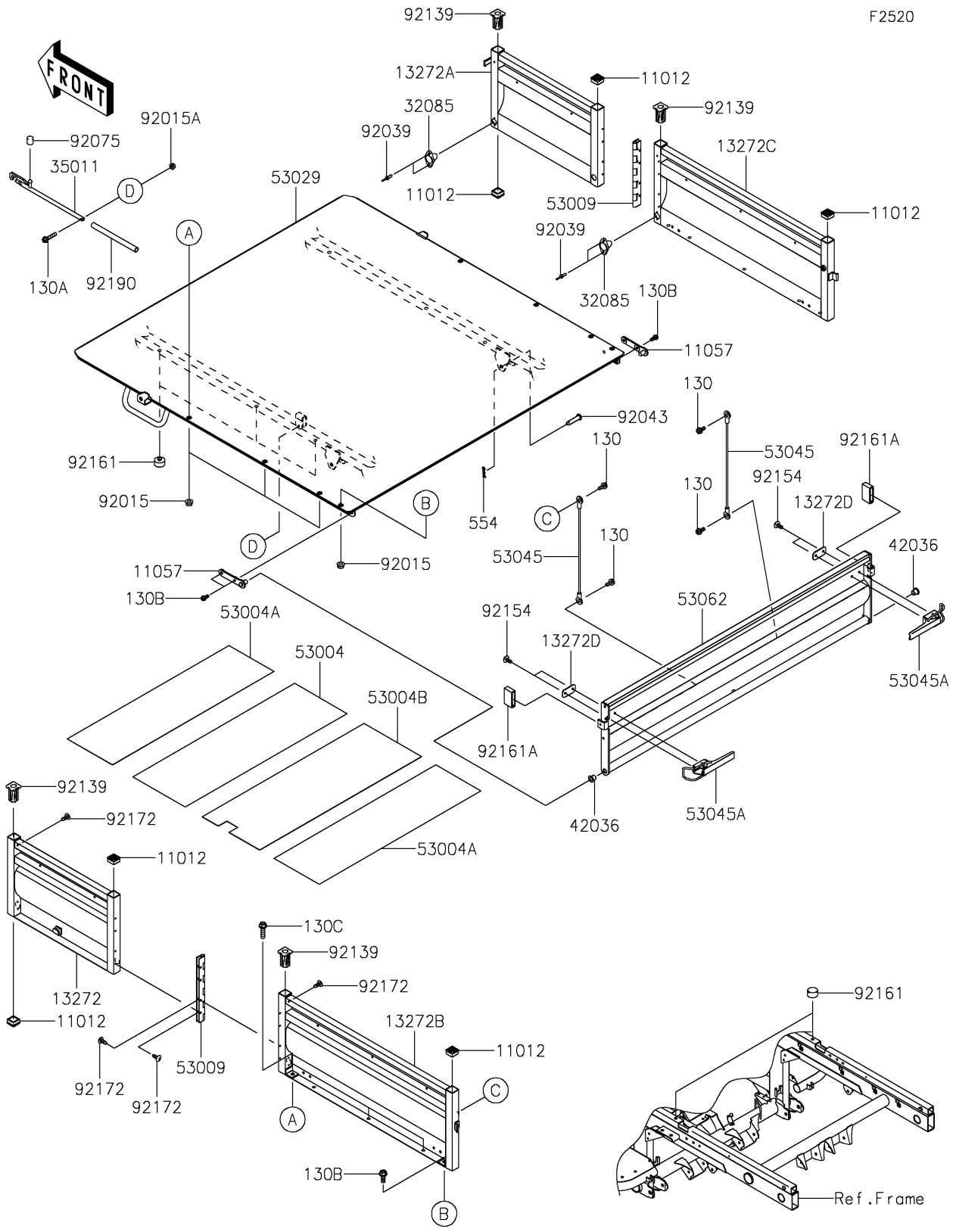


2025 MULE™ 4010 TRANS4x4® FE

PARTS DIAGRAM

Carrier(s)



2025 MULE™ 4010 TRANS4x4® FE



PARTS LIST

Carrier(s)

ITEM NAME	PART NUMBER	QUANTITY
-----------	-------------	----------
