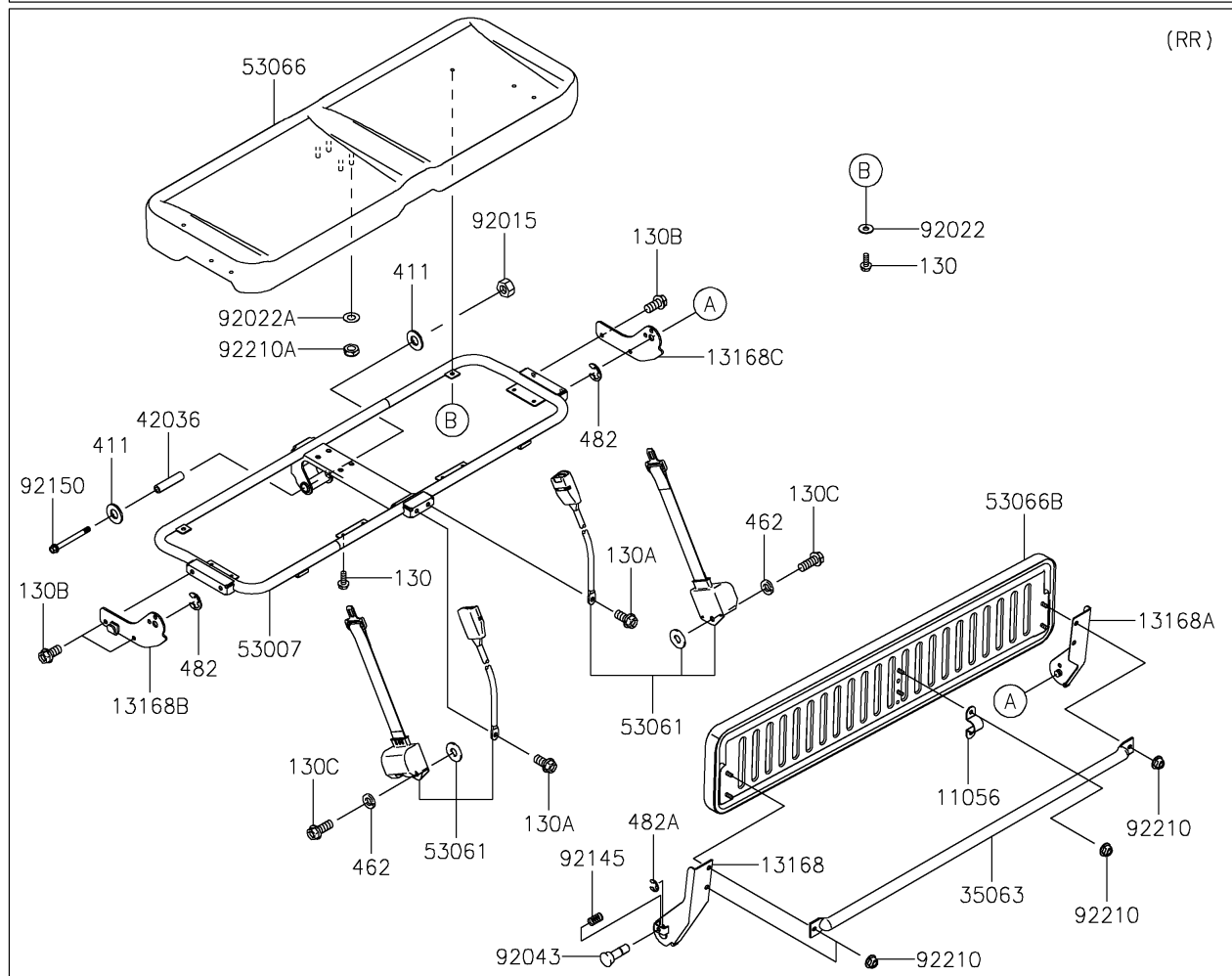
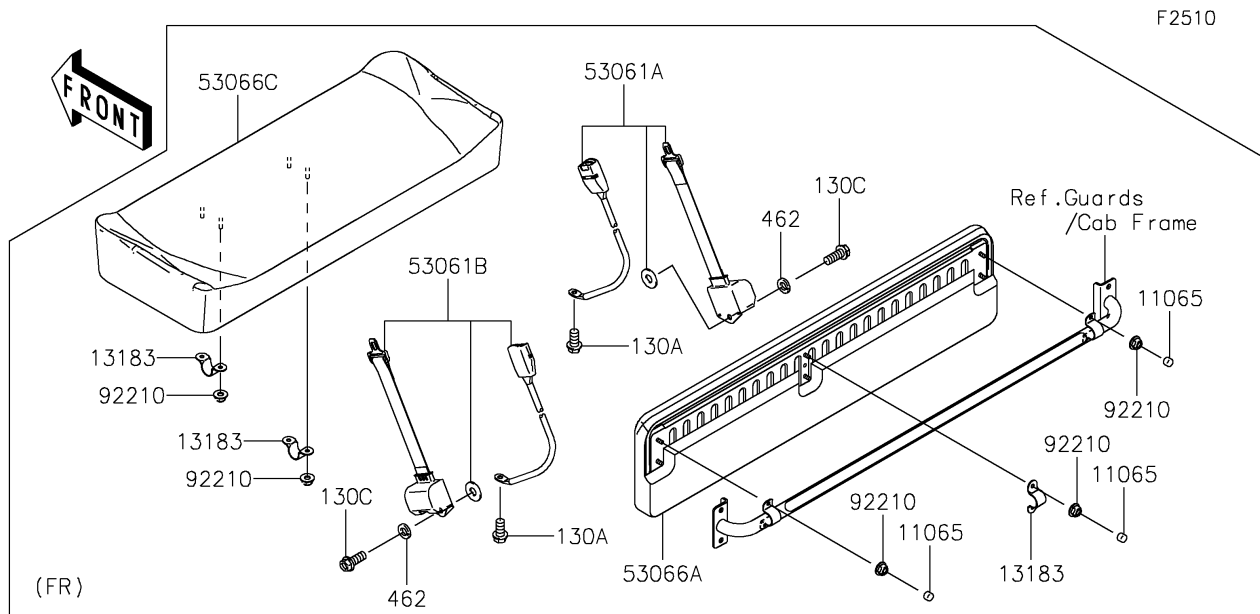


2025 MULE™ 4010 TRANS4x4® FE

PARTS DIAGRAM

Seat



2025 MULE™ 4010 TRANS4x4® FE



PARTS LIST

Seat

| ITEM NAME | PART NUMBER | QUANTITY |
|-----------|-------------|----------|
|-----------|-------------|----------|
