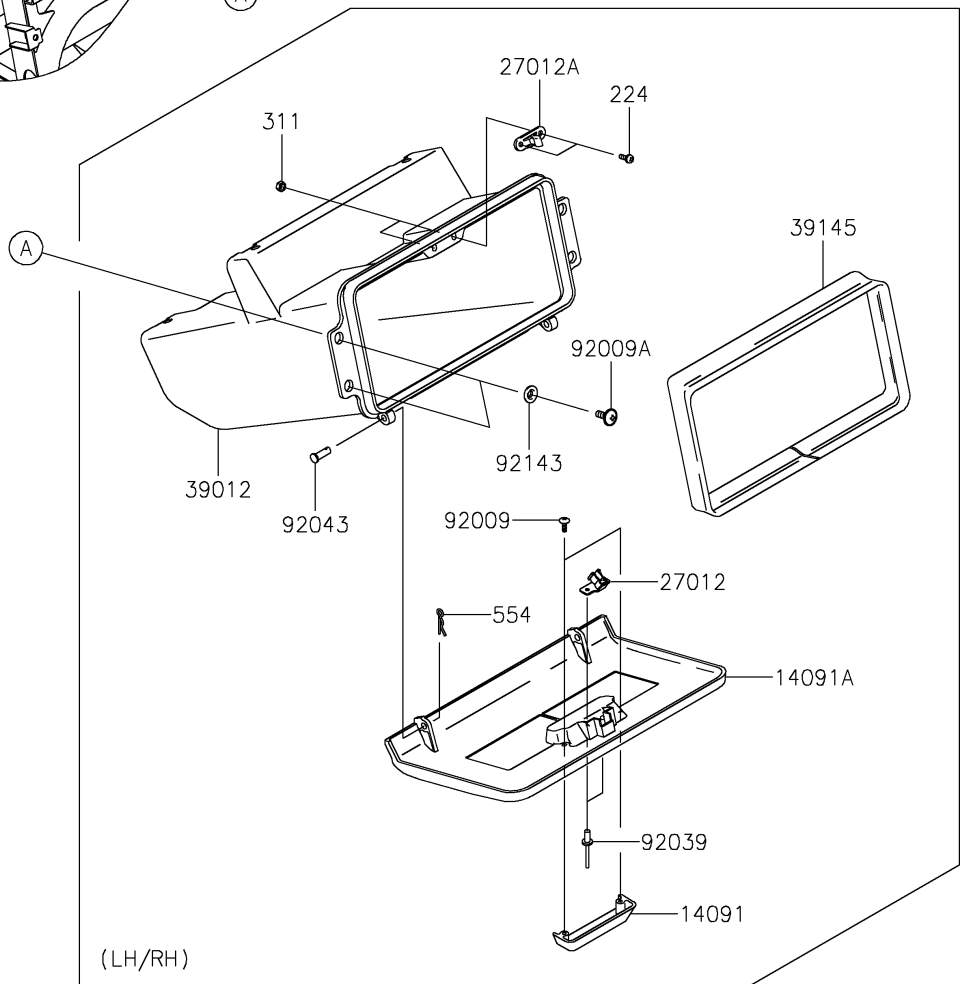
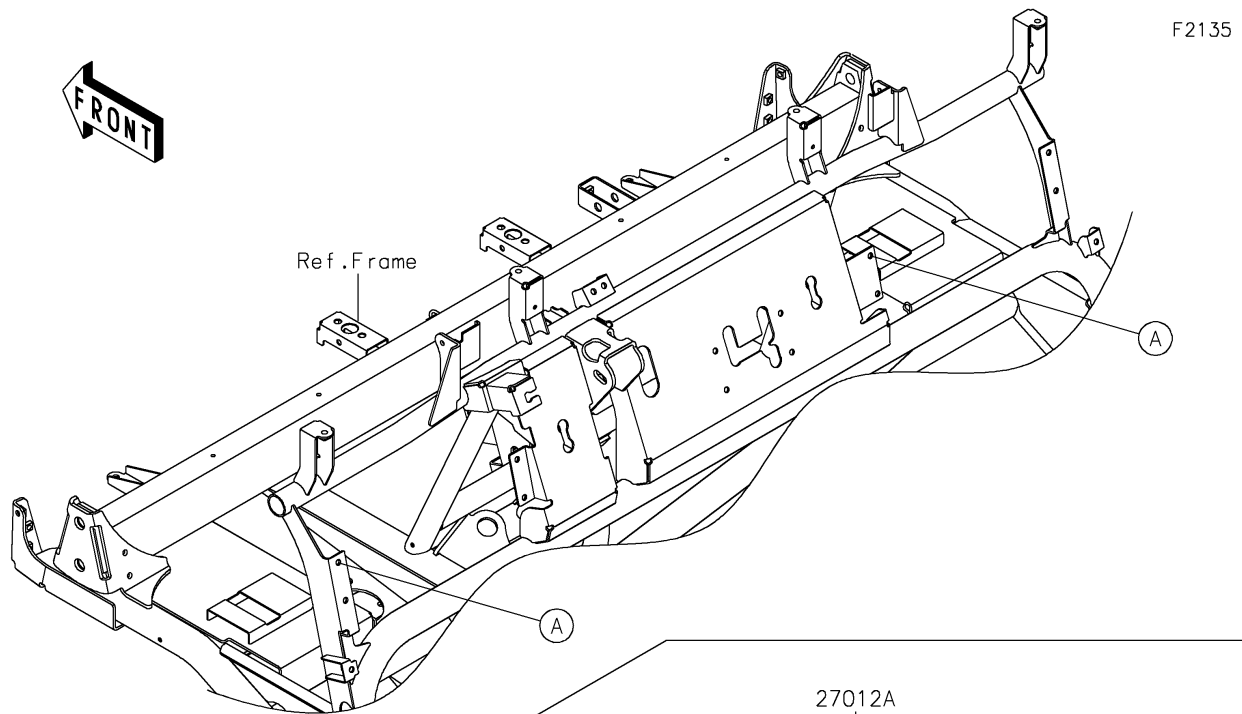


# 2025 MULE™ 4010 TRANS4x4® FE

## PARTS DIAGRAM

### Front Box



# 2025 MULE™ 4010 TRANS4x4® FE



## PARTS LIST

### Front Box

ITEM NAME	PART NUMBER	QUANTITY
-----------	-------------	----------

---