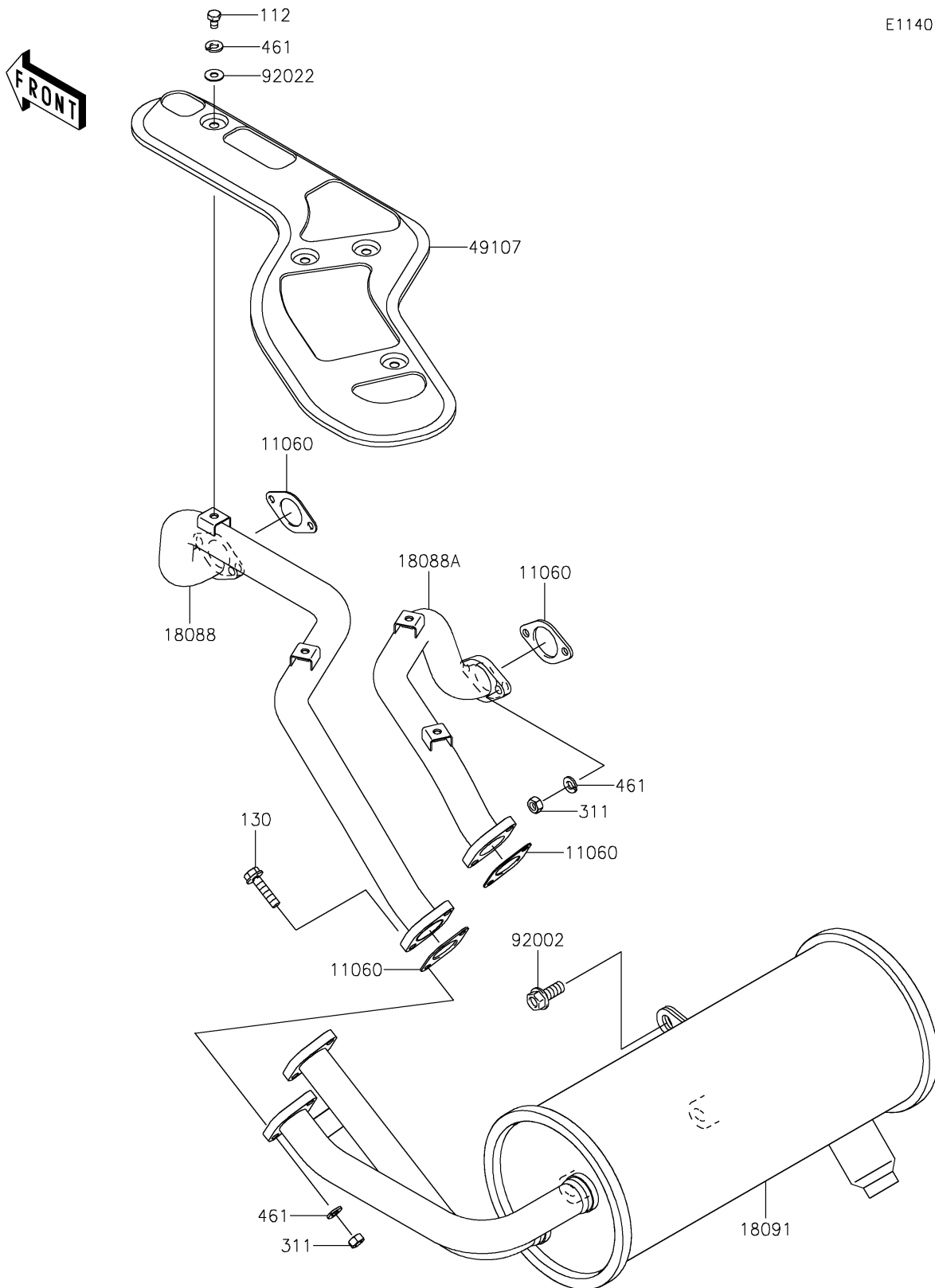


# 2025 MULE™ 4010 TRANS4x4® FE

## PARTS DIAGRAM

### Muffler(s)

E1140



# 2025 MULE™ 4010 TRANS4x4® FE



## PARTS LIST

Muffler(s)

ITEM NAME	PART NUMBER	QUANTITY
-----------	-------------	----------

---