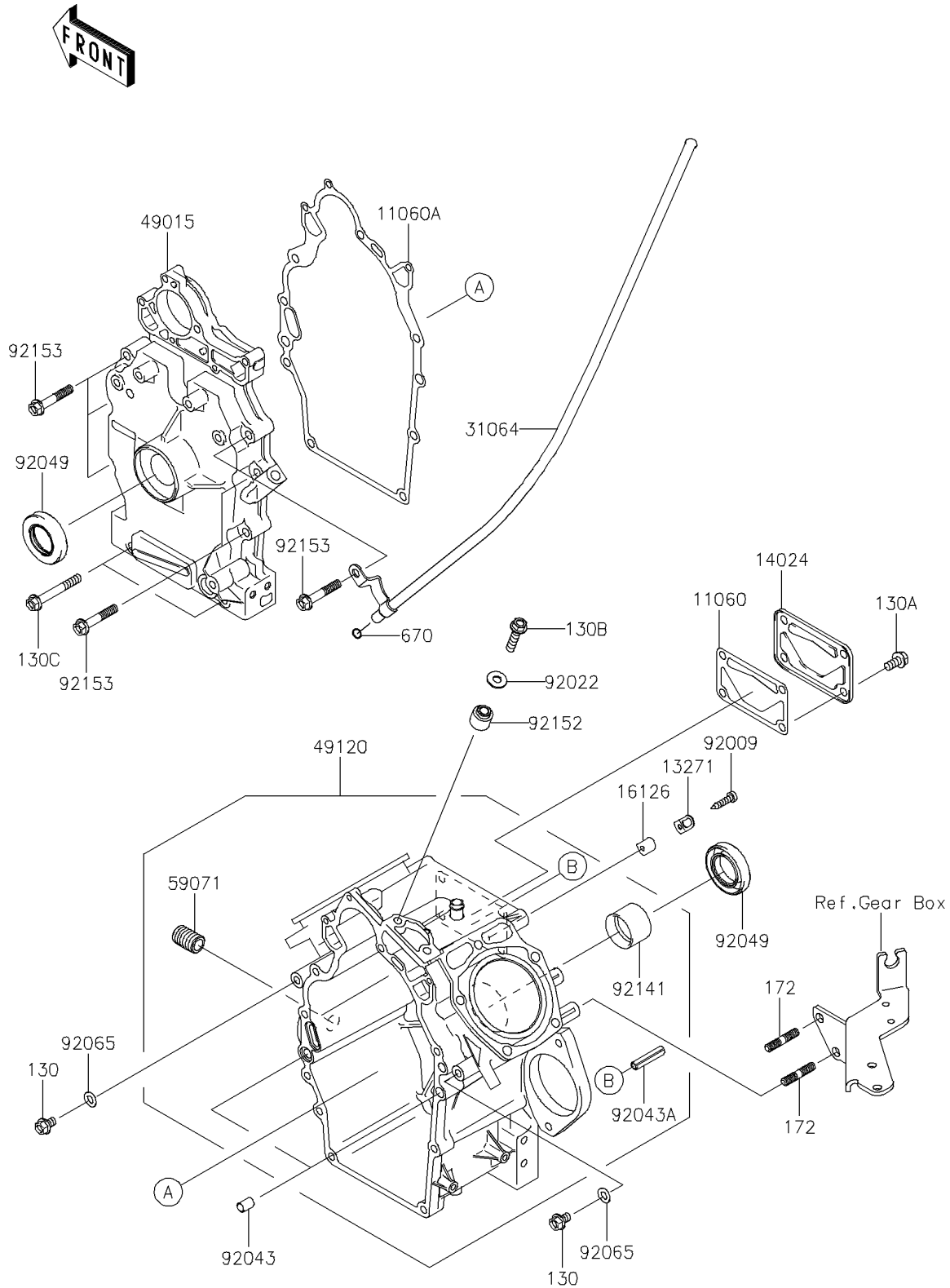


# 2025 MULE™ 4010 4x4 FE

## PARTS DIAGRAM

### Crankcase

E1411



# 2025 MULE™ 4010 4x4 FE

## PARTS LIST

### Crankcase

**ITEM NAME**

**PART NUMBER**

**QUANTITY**

---