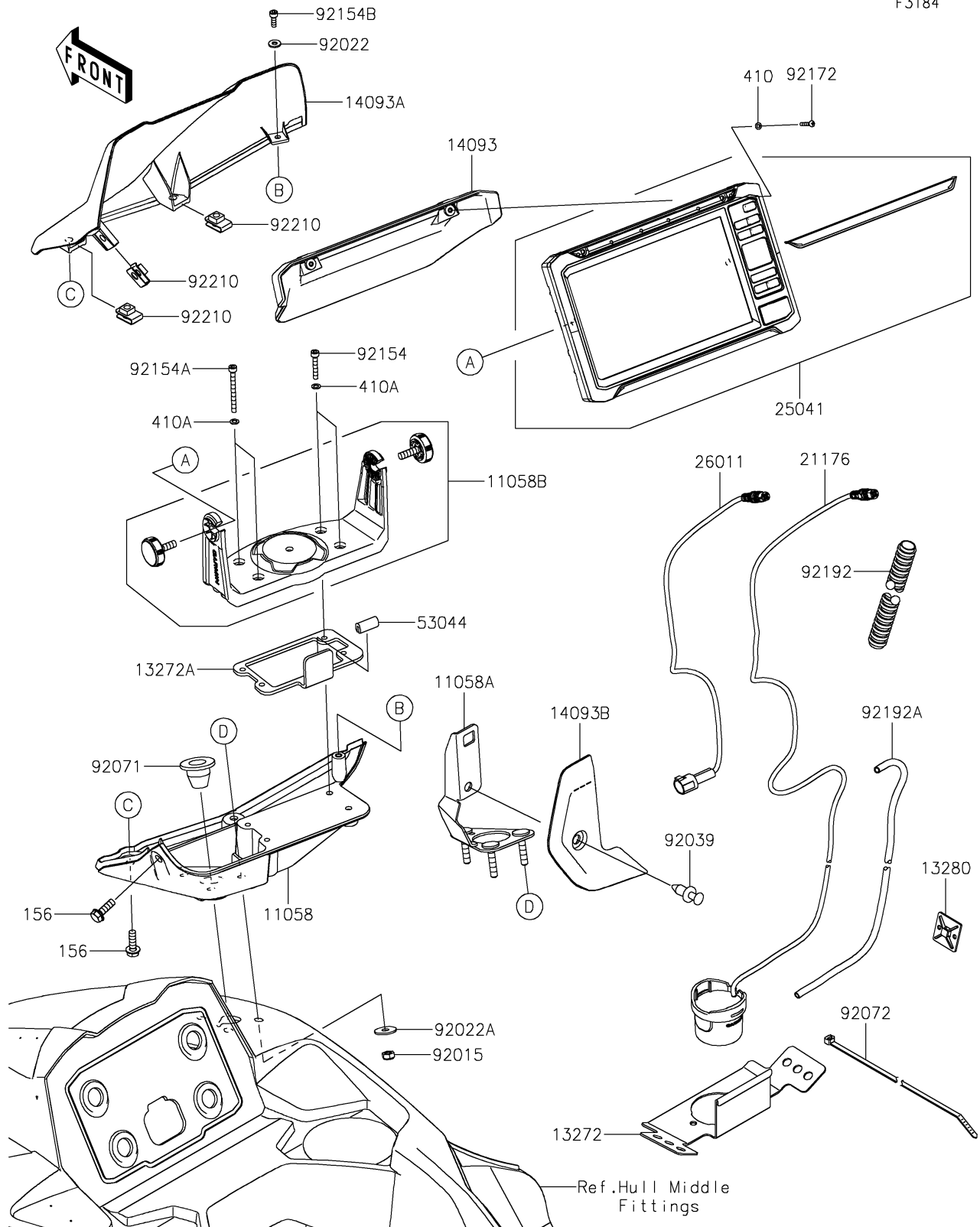


2025 JET SKI® ULTRA® 160LX-S ANGLER

PARTS DIAGRAM

Other(Display)

F3184



2025 JET SKI® ULTRA® 160LX-S ANGLER



PARTS LIST

Other(Display)

ITEM NAME	PART NUMBER	QUANTITY
-----------	-------------	----------
