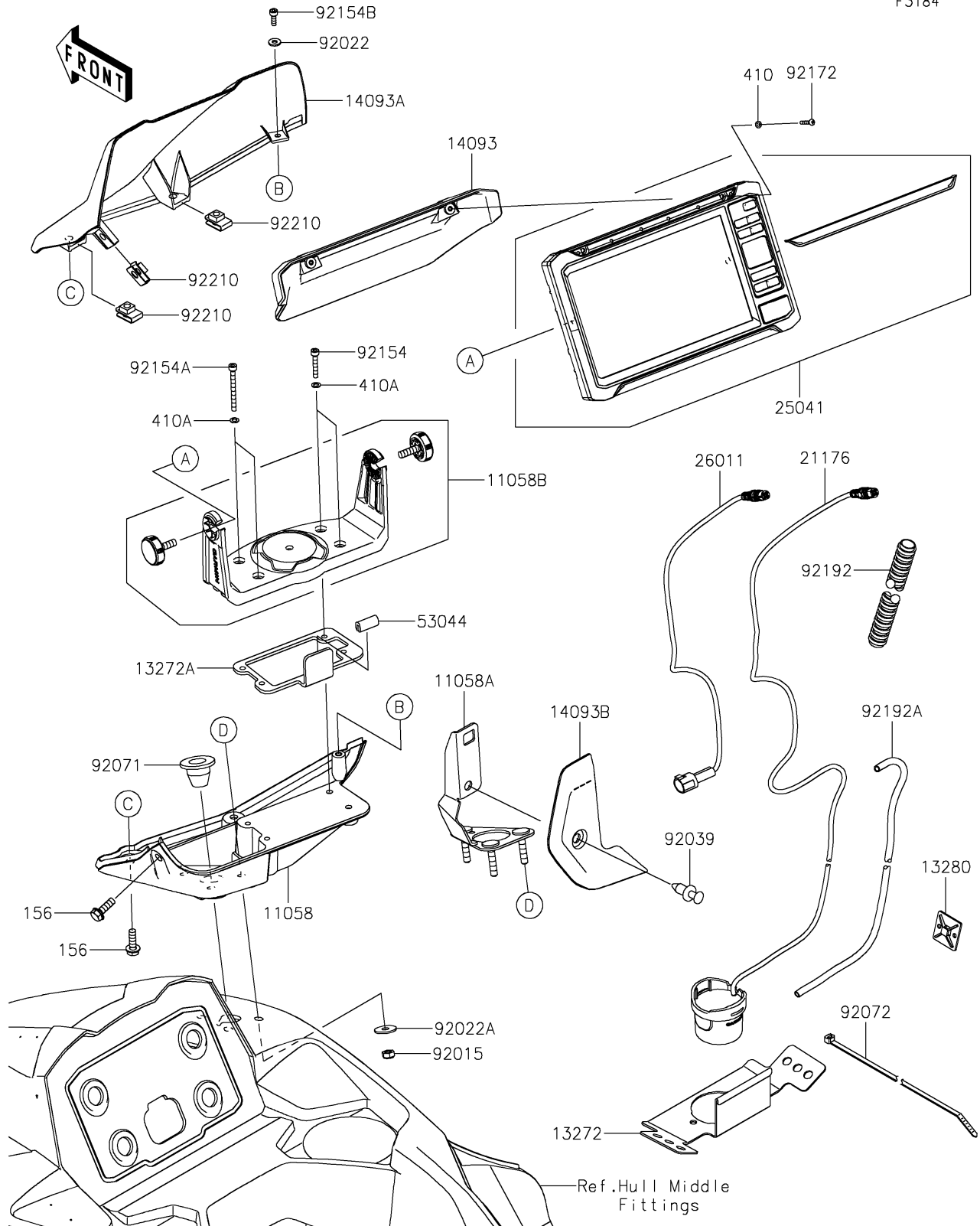


# 2025 Ultra 160LX-S Angler

## PARTS DIAGRAM

Other(Display)

F3184



# 2025 Ultra 160LX-S Angler

## PARTS LIST

### Other(Display)

ITEM NAME	PART NUMBER	QUANTITY
BRACKET,CHARTPLOTTER,LWR (Ref # 11058)	11058-1082	1
BRACKET,CHARTPLOTTER,UPP (Ref # 11058A)	11058-1237	1
BRACKET,DISPLAY (Ref # 11058B)	11058-2183	1
PLATE,SENSOR (Ref # 13272)	13272-7029	1
PLATE,DISPLAY (Ref # 13272A)	13272-7030	1
HOLDER (Ref # 13280)	13280-1394	1
COVER,DISPLAY,TOP (Ref # 14093)	14093-1520	1
COVER,DISPLAY,OUTER,S.BLACK (Ref # 14093A)	14093-1521-839	1
COVER,DISPLAY,INNER (Ref # 14093B)	14093-1532	1
SENSOR,TRANSDUCER (Ref # 21176)	21176-1251	1
DISPLAY-MULTI-FUNCTION (Ref # 25041)	25041-0002	1
WIRE-LEAD,HARNESS-CHARTPLOTTER (Ref # 26011)	26011-2439	1
TRIM,L=20 (Ref # 53044)	53044-1292	1
NUT,LOCK,6MM (Ref # 92015)	92015-3766	3
WASHER (Ref # 92022)	92022-3042	1
WASHER,6.5X20X1.5 (Ref # 92022A)	92022-3710	3
RIVET (Ref # 92039)	92039-0776	1
GROMMET (Ref # 92071)	92071-3826	1
BAND,L=372.24 (Ref # 92072)	92072-3883	1
BOLT,SOCKET,4X25 (Ref # 92154)	92154-7181	2
BOLT,SOCKET,4X45 (Ref # 92154A)	92154-7236	2
BOLT,SOCKET,4X12 (Ref # 92154B)	92154-7432	1
SCREW,3X20 (Ref # 92172)	92172-1495	2
TUBE,CORRUGATED,13.2X17.5X125 (Ref # 92192)	92192-2714	1
TUBE,10X1800 (Ref # 92192A)	92192-2836	1
NUT,6MM (Ref # 92210)	92210-3768	3
BOLT-WP,6X20 (Ref # 156)	156R0620	3
W-PLAIN-S,3MM (Ref # 410)	410S0300	2
WASHER-PLAIN-SMALL,4MM (Ref # 410A)	410S0400	4