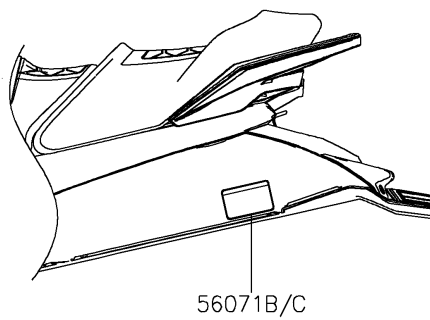
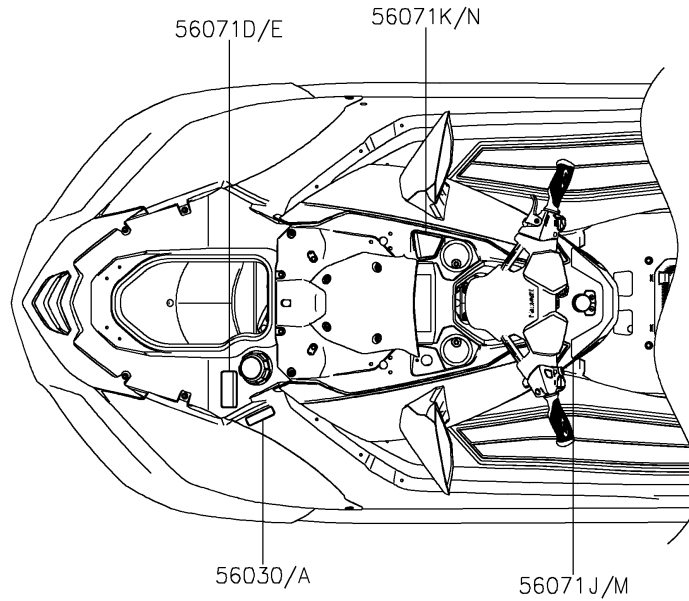


2025 JET SKI® ULTRA® 160LX-S ANGLER

PARTS DIAGRAM

Labels

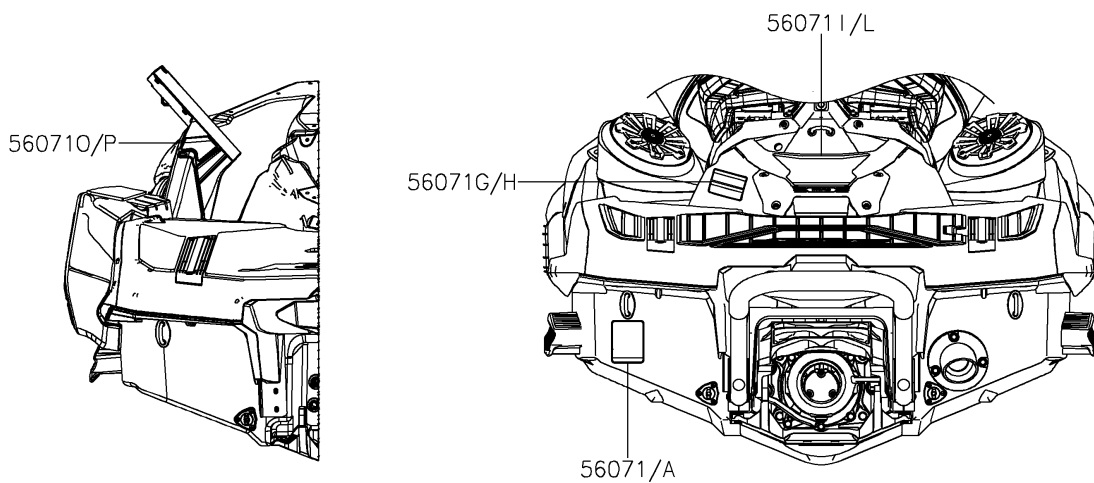
F3183



56071F/Q



Ref.Hull Front Fittings
Ref.Hull Fittings(Side Storage)



2025 JET SKI® ULTRA® 160LX-S ANGLER



PARTS LIST Labels

ITEM NAME	PART NUMBER	QUANTITY
-----------	-------------	----------
