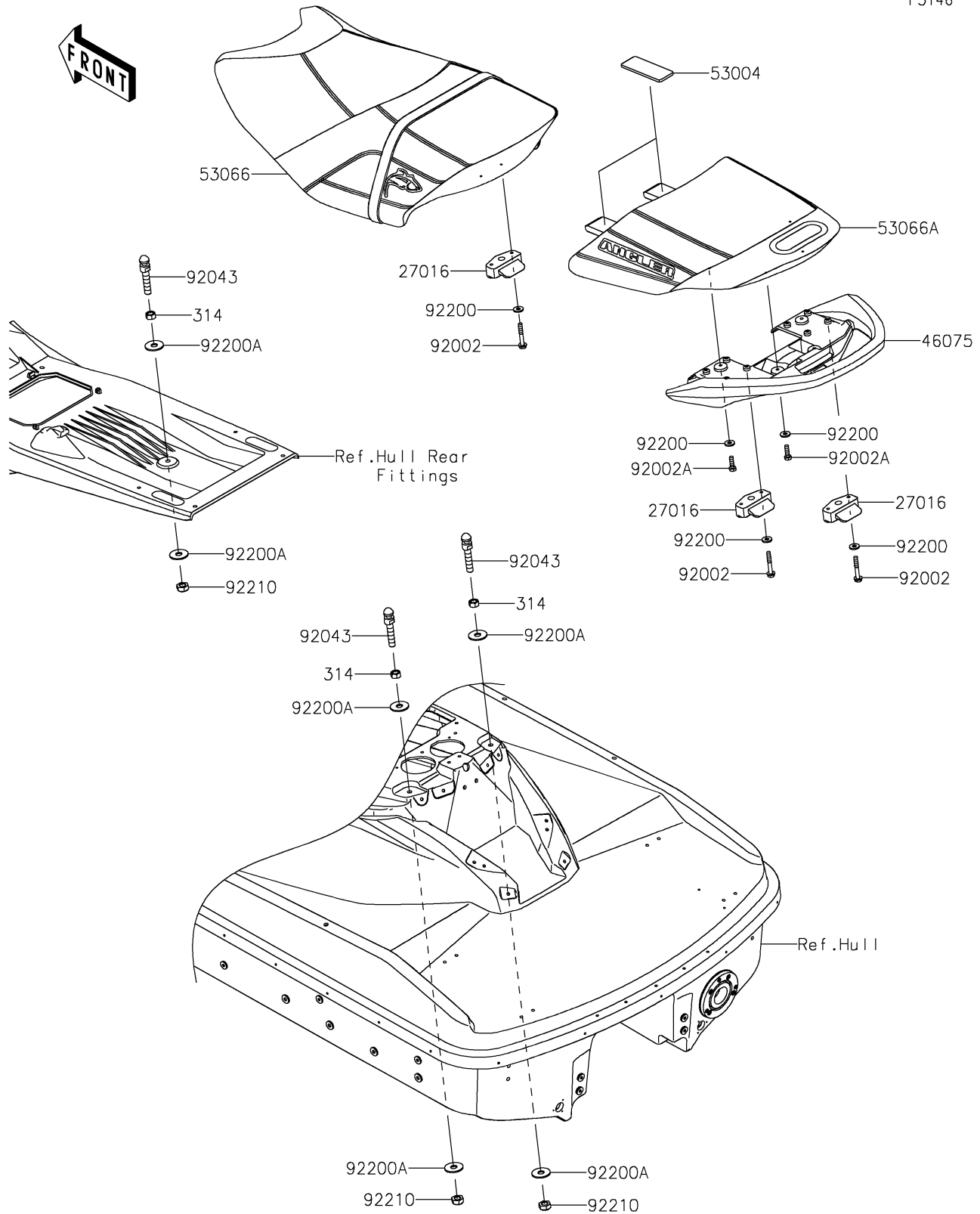


2025 JET SKI® ULTRA® 160LX-S ANGLER

PARTS DIAGRAM

Seat

F3146



2025 JET SKI® ULTRA® 160LX-S ANGLER



PARTS LIST

Seat

| ITEM NAME | PART NUMBER | QUANTITY |
|-----------|-------------|----------|
|-----------|-------------|----------|
