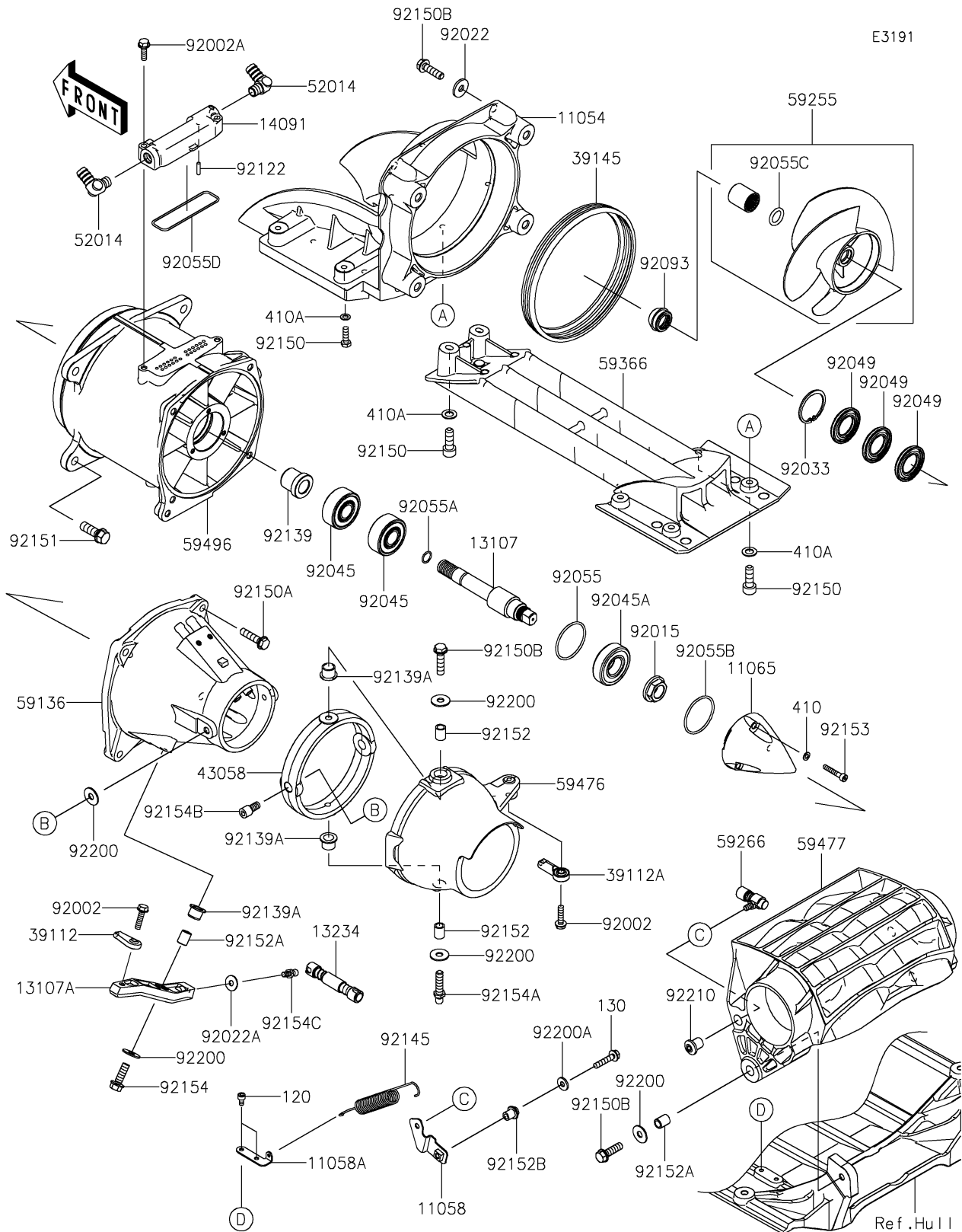


# 2025 JET SKI® ULTRA® 160LX-S ANGLER

## PARTS DIAGRAM

### Jet Pump



# 2025 JET SKI® ULTRA® 160LX-S ANGLER

**Kawasaki**  
Let the Good Times Roll®

## PARTS LIST

Jet Pump

ITEM NAME	PART NUMBER	QUANTITY
-----------	-------------	----------

---