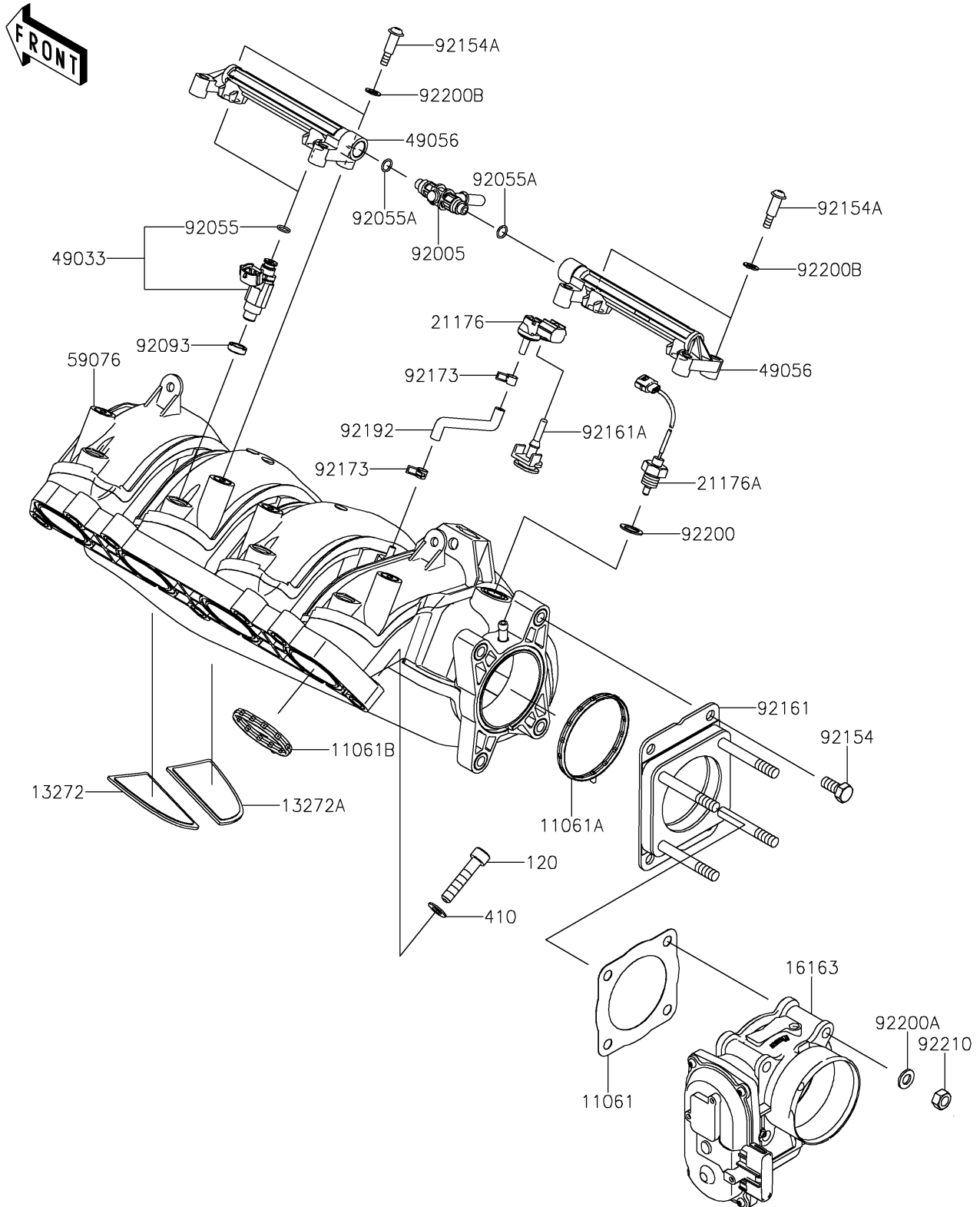


2025 JET SKI® ULTRA® 160LX-S ANGLER

PARTS DIAGRAM

Throttle

E1510



2025 JET SKI® ULTRA® 160LX-S ANGLER



PARTS LIST

Throttle

ITEM NAME	PART NUMBER	QUANTITY
-----------	-------------	----------
