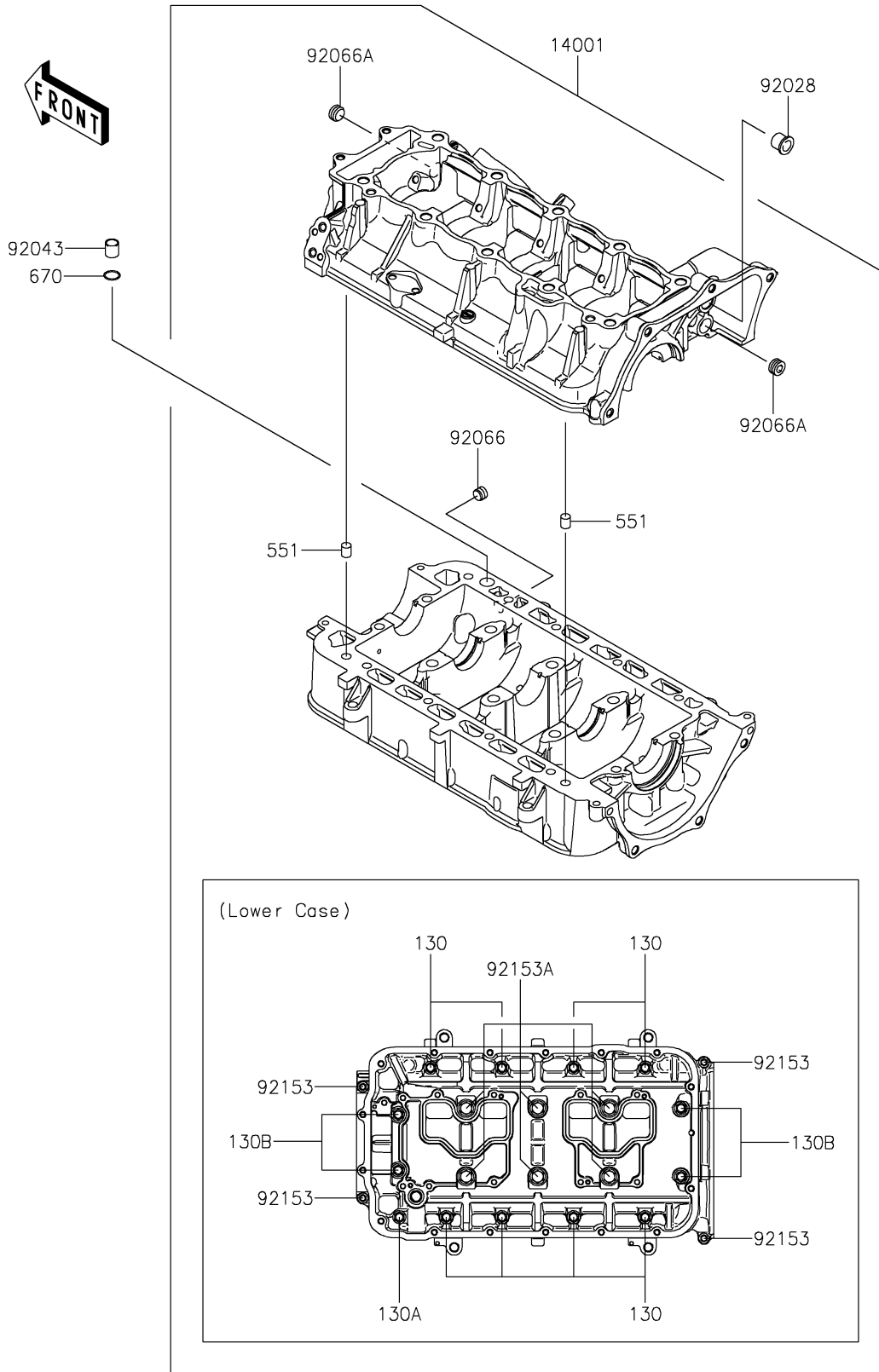


2025 JET SKI® ULTRA® 160LX-S ANGLER

PARTS DIAGRAM

Crankcase



E1411

2025 JET SKI® ULTRA® 160LX-S ANGLER



PARTS LIST

Crankcase

ITEM NAME	PART NUMBER	QUANTITY
-----------	-------------	----------
