

2025 JET SKI® ULTRA® 160LX-S ANGLER

PARTS DIAGRAM

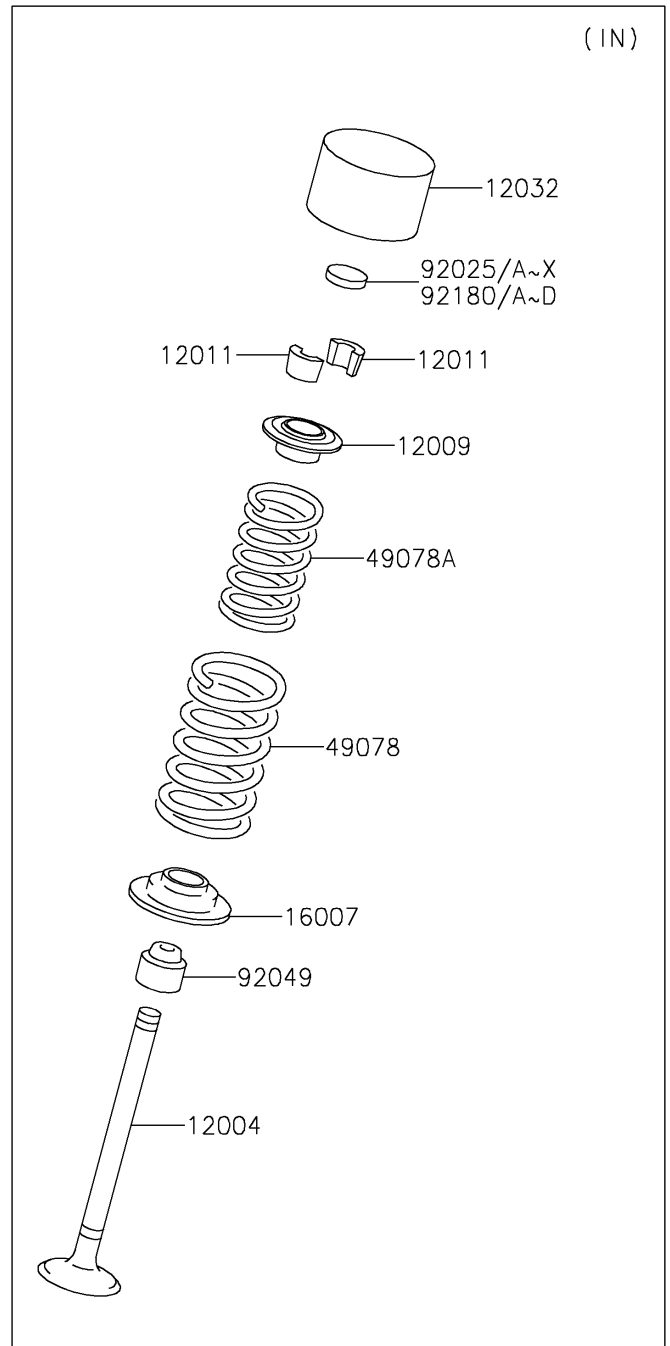
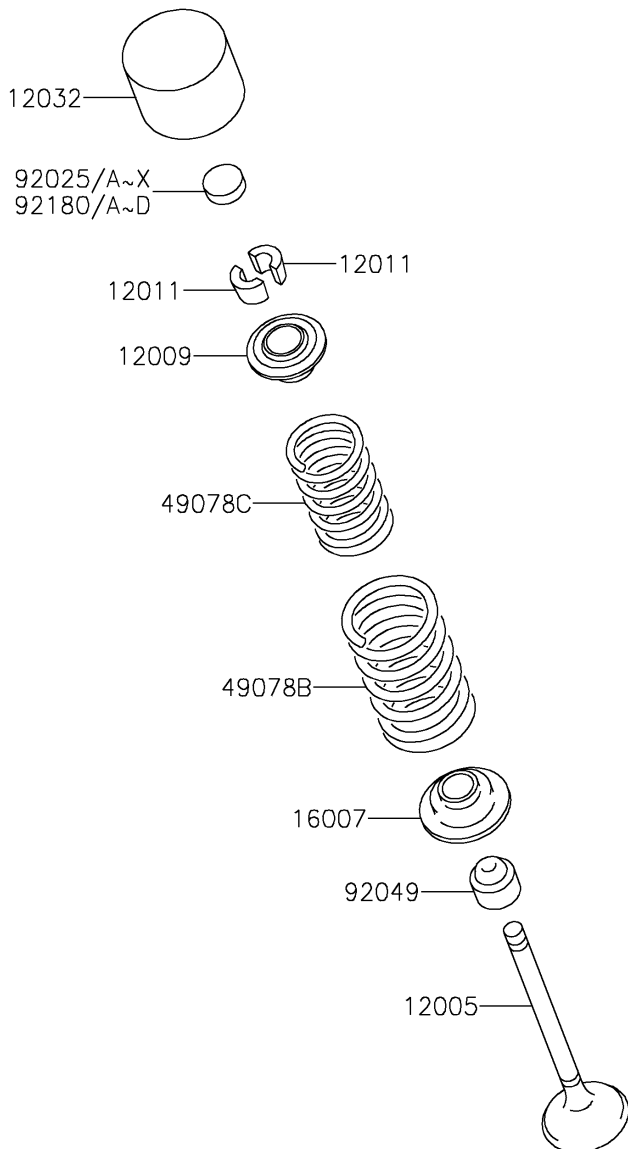
Valve(s)

E1210



(IN)

(EX)



2025 JET SKI® ULTRA® 160LX-S ANGLER



PARTS LIST

Valve(s)

ITEM NAME	PART NUMBER	QUANTITY
-----------	-------------	----------
