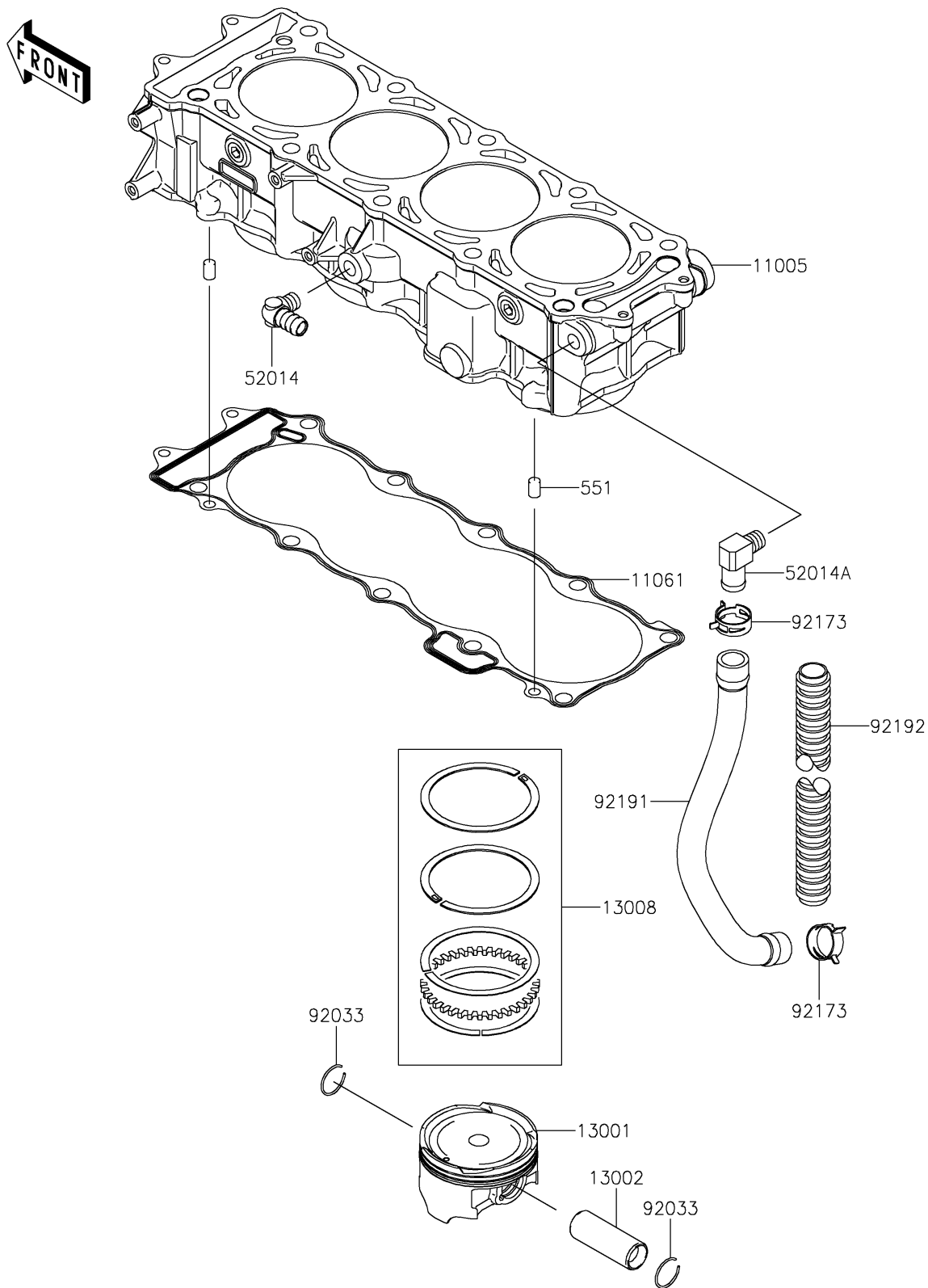


# 2025 JET SKI® ULTRA® 160LX-S ANGLER

## PARTS DIAGRAM

### Cylinder/Piston(s)

E1120



# 2025 JET SKI® ULTRA® 160LX-S ANGLER



## PARTS LIST

Cylinder/Piston(s)

ITEM NAME	PART NUMBER	QUANTITY
-----------	-------------	----------

---