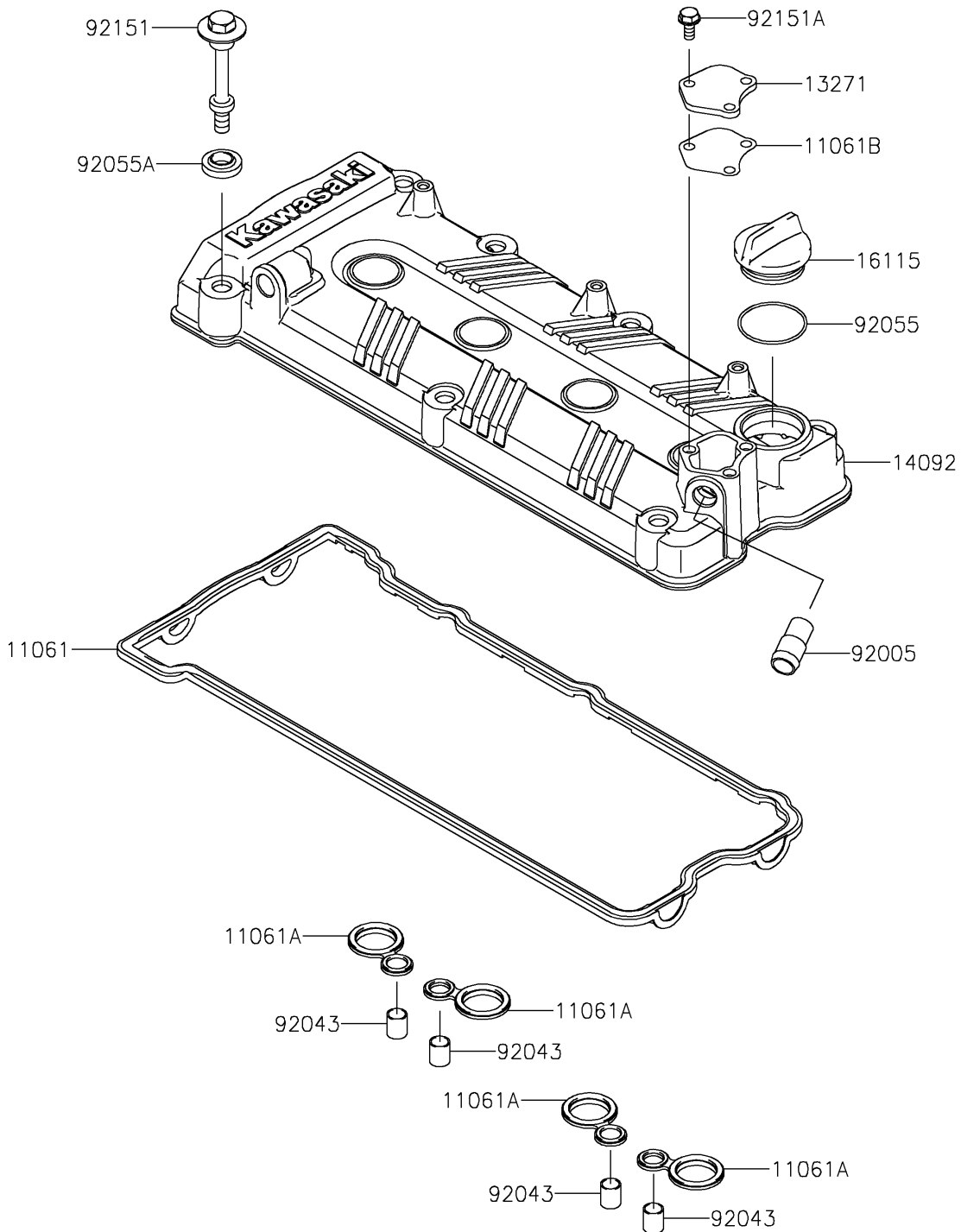


# 2025 JET SKI® ULTRA® 160LX-S ANGLER

## PARTS DIAGRAM Cylinder Head Cover

E1112



# 2025 JET SKI® ULTRA® 160LX-S ANGLER



## PARTS LIST

### Cylinder Head Cover

ITEM NAME	PART NUMBER	QUANTITY
-----------	-------------	----------

---