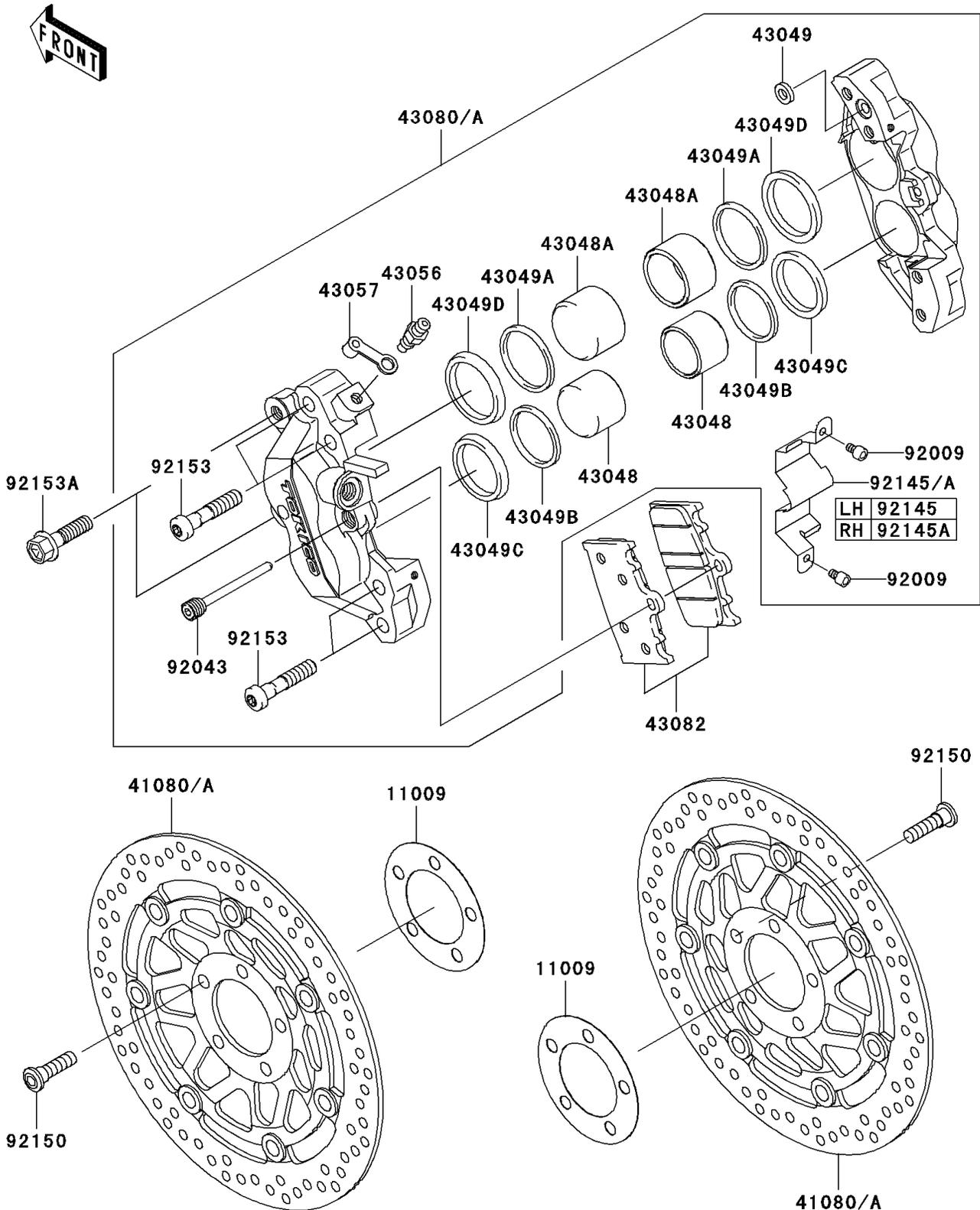


2003 ZZR1200

PARTS DIAGRAM

Front Brake

F2292



2003 ZZR1200

PARTS LIST

Front Brake

ITEM NAME	PART NUMBER	QUANTITY
DISC,FR,GRAY+DISC,SILVER (Ref # 41080A)	41080-1524-5C	2
PISTON-CALIPER,DIA=30.2 (Ref # 43048)	43048-1098	4
PISTON-CALIPER,DIA=33.934 (Ref # 43048A)	43048-1099	4
PACKING,SEAL,6.5X11.5X2.2 (Ref # 43049)	43049-1004	2
PACKING,PISTON (Ref # 43049A)	43049-1057	4
PACKING (Ref # 43049B)	43049-1068	4
PACKING,PISTON SEAL (Ref # 43049C)	43049-1092	4
PACKING,PISTON SEAL (Ref # 43049D)	43049-1095	4
BREATHER-BRAKE (Ref # 43056)	43056-1054	2
CAP-BREATHER (Ref # 43057)	43057-003	2
CALIPER-SUB-ASSY,FR,LH,BLACK (Ref # 43080)	43080-5086-DJ	1
CALIPER-SUB-ASSY,FR,RH,BLACK (Ref # 43080A)	43080-5087-DJ	1
PAD-ASSY-BRAKE (Ref # 43082)	43082-1288	2
BOLT,SOCKET,4X6 (Ref # 92009)	92009-1758	4
PIN,PAD (Ref # 92043)	92043-1683	2
SPRING,COVER (Ref # 92145)	92145-1503	1
SPRING,COVER,RH (Ref # 92145A)	92145-1504	1
BOLT,SOCKET,8X30 (Ref # 92150)	92150-1771	10
BOLT,SOCKET,8X40 (Ref # 92153)	92153-0360	8
BOLT,FLANGED,8X30 (Ref # 92153A)	92153-1089	4