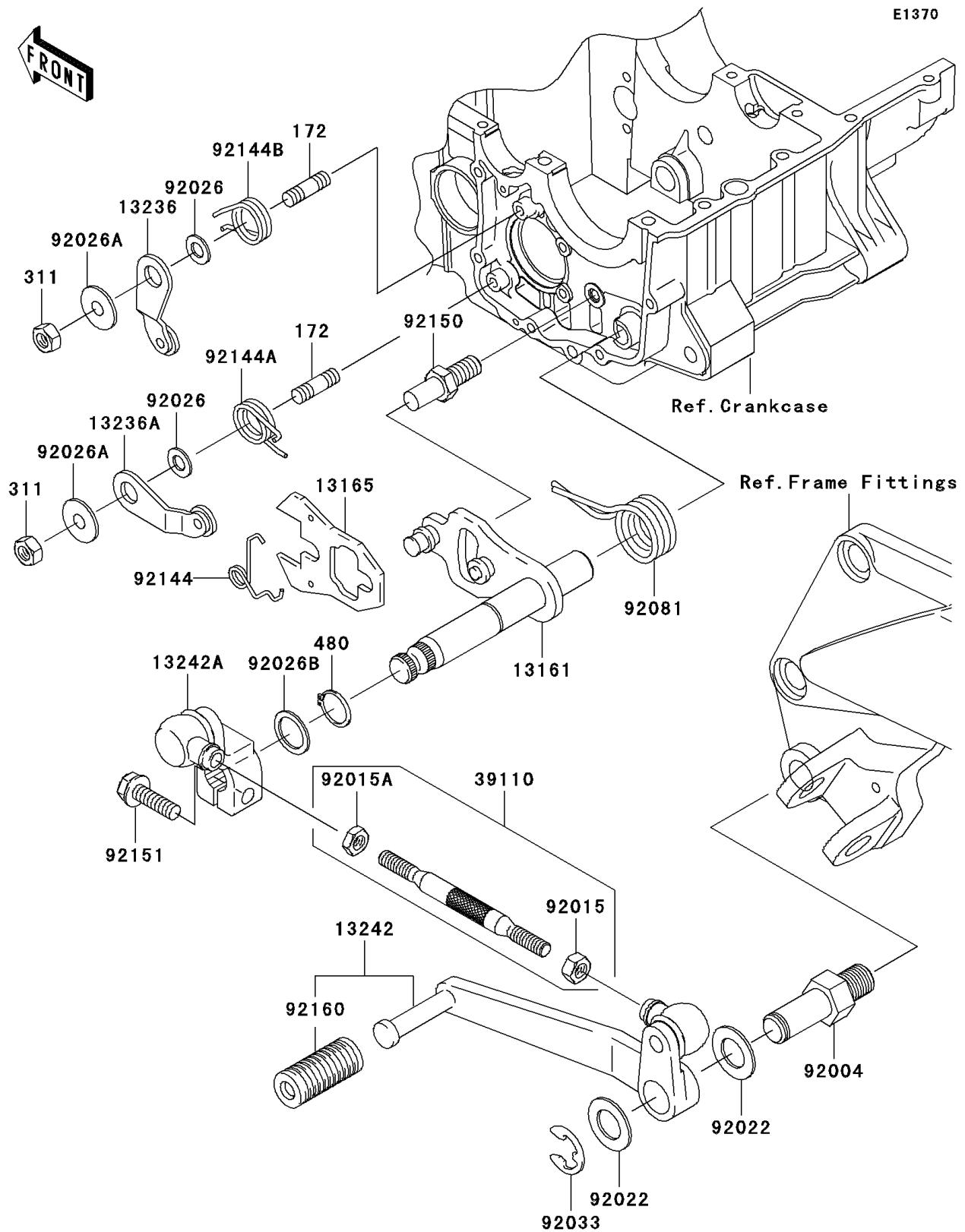


2004 ZZR1200

PARTS DIAGRAM

Gear Change Mechanism



2004 ZZR1200

PARTS LIST

Gear Change Mechanism

| ITEM NAME | PART NUMBER | QUANTITY |
|--|-------------|----------|
| BOLT-STUD,6X14 (Ref # 172) | 172G0614 | 2 |
| NUT-HEX,6MM (Ref # 311) | 311G0600 | 2 |
| CIRCLIP-TYPE-C,13MM (Ref # 480) | 480J1300 | 1 |
| LEVER-COMP-CHANGE SHAFT (Ref # 13161) | 13161-1155 | 1 |
| PAWL (Ref # 13165) | 13165-1120 | 1 |
| LEVER-COMP,GEAR POSITION (Ref # 13236) | 13236-1103 | 1 |
| LEVER-COMP,GEAR POSITION (Ref # 13236A) | 13236-1216 | 1 |
| LEVER-ASSY-CHANGE,PEDAL (Ref # 13242) | 13242-1283 | 1 |
| LEVER-ASSY-CHANGE,BOSS (Ref # 13242A) | 13242-1392 | 1 |
| ROD-ASSY-TIE (Ref # 39110) | 39110-1129 | 1 |
| STUD,CHANGE PEDAL,PIVOT (Ref # 92004) | 92004-1164 | 1 |
| NUT,6MM (Ref # 92015) | 92015-1443 | 1 |
| NUT,LEFT HANDED,6MM (Ref # 92015A) | 92015-1444 | 1 |
| WASHER,12.5X22X1.2 (Ref # 92022) | 92022-1593 | 2 |
| SPACER,6.3X12X1.0 (Ref # 92026) | 92026-094 | 2 |
| SPACER (Ref # 92026A) | 92026-1217 | 2 |
| SPACER,13.3X18X1.0 (Ref # 92026B) | 92026-1532 | 1 |
| RING-SNAP,TYPE-E,10MM (Ref # 92033) | 92033-1178 | 1 |
| SPRING,CHANGE PEDAL RETURN (Ref # 92081) | 92081-1869 | 1 |
| SPRING (Ref # 92144) | 92144-1029 | 1 |
| SPRING,GEAR POSITION (Ref # 92144A) | 92144-1523 | 1 |
| SPRING (Ref # 92144B) | 92144-1856 | 1 |
| BOLT,RETURN SPRING (Ref # 92150) | 92150-1869 | 1 |
| BOLT,6X20 (Ref # 92151) | 92151-1226 | 1 |
| DAMPER,CHANGE PEDAL (Ref # 92160) | 92160-1036 | 1 |