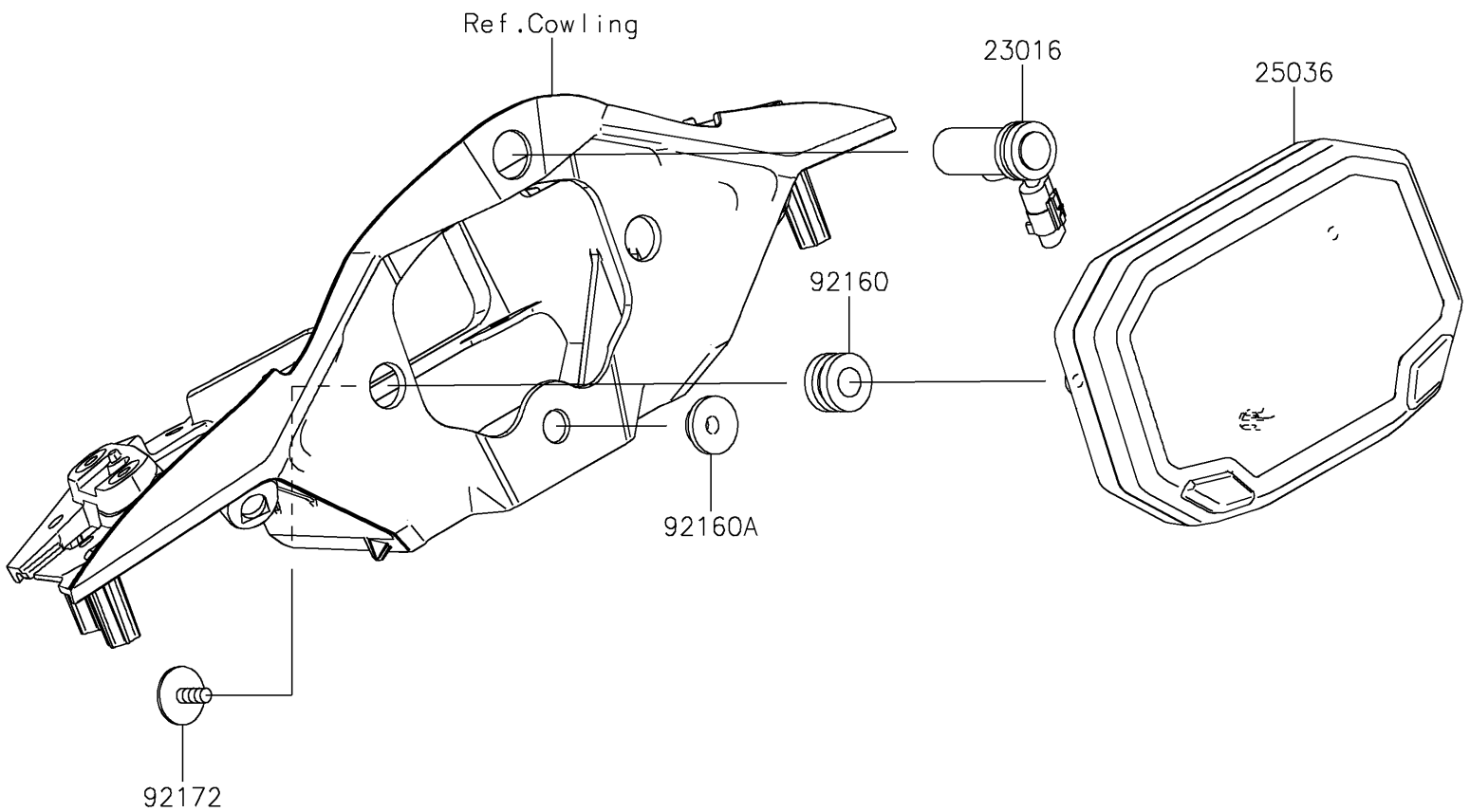


# 2024 NINJA® ZX™-10RR ABS

## PARTS DIAGRAM

Meter(s)

F2530



# 2024 NINJA<sup>®</sup> ZX<sup>™</sup>-10RR ABS

## PARTS LIST

Meter(s)

ITEM NAME	PART NUMBER	QUANTITY
-----------	-------------	----------

---