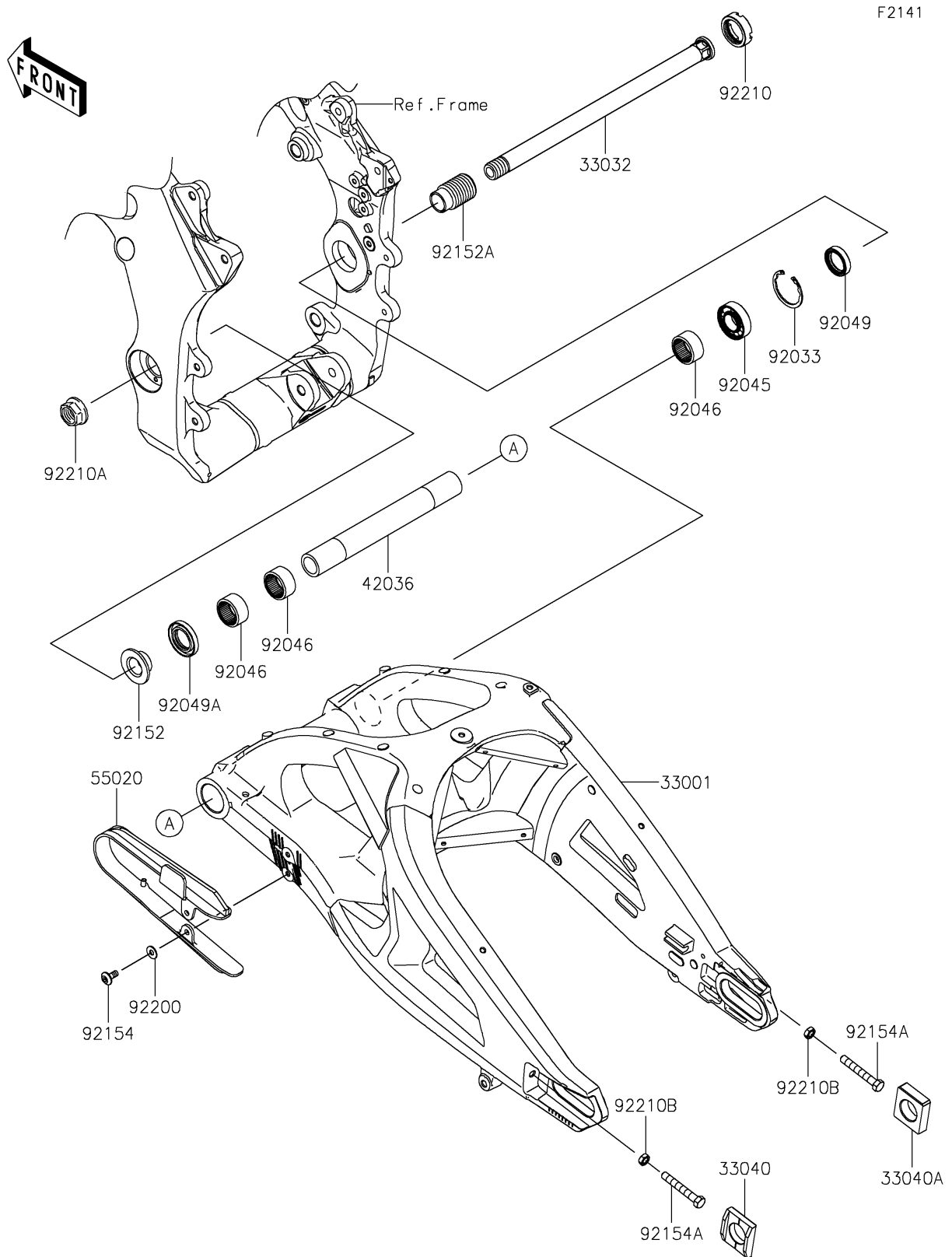


# 2024 NINJA® ZX™-10RR ABS

## PARTS DIAGRAM

### Swingarm



# 2024 NINJA<sup>®</sup> ZX<sup>™</sup>-10RR ABS

## PARTS LIST

### Swingarm

ITEM NAME	PART NUMBER	QUANTITY
-----------	-------------	----------

---