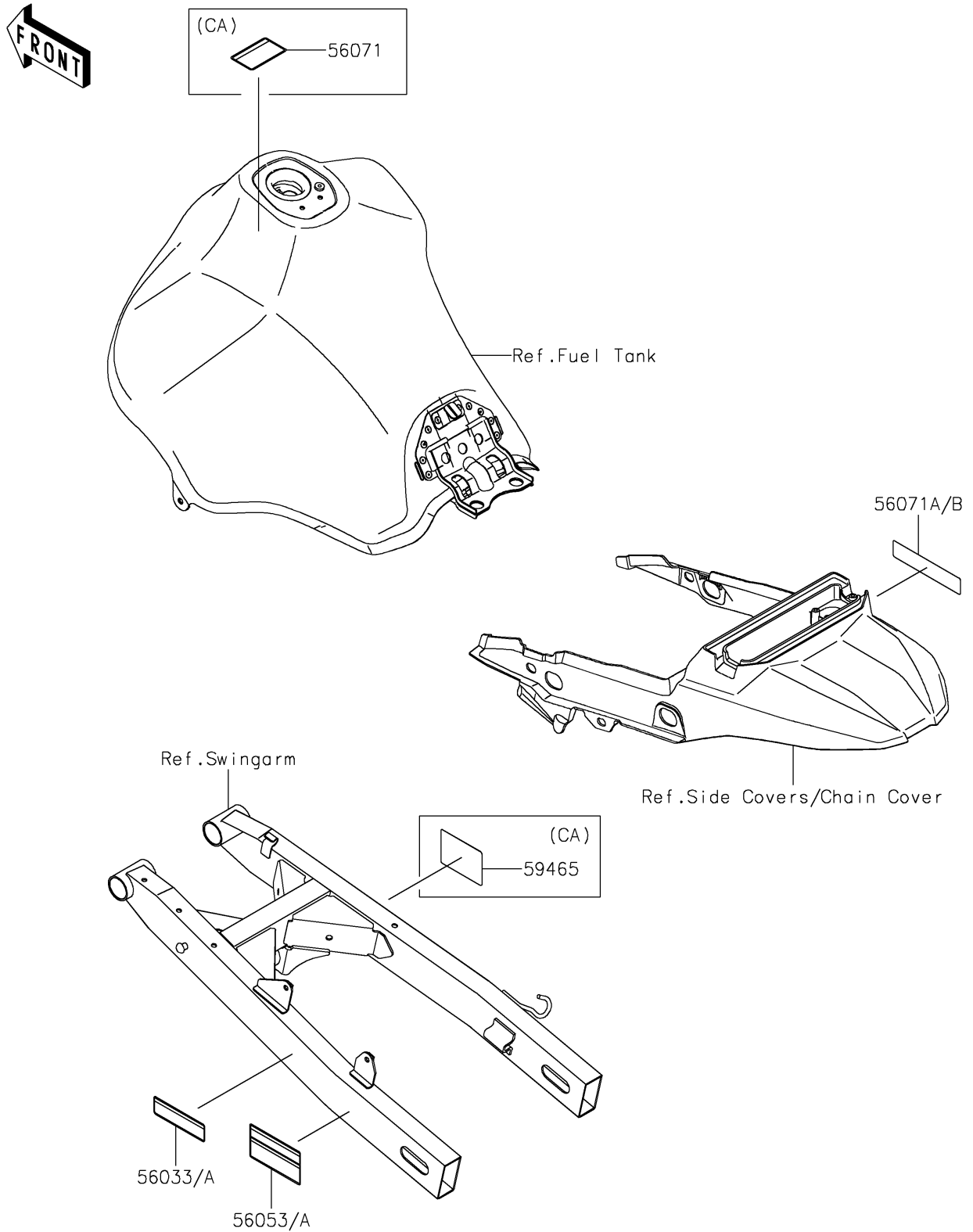


# 2025 KLR650 S

## PARTS DIAGRAM

### Labels

F2860



# 2025 KLR650 S

## PARTS LIST

### Labels



ITEM NAME	PART NUMBER	QUANTITY
-----------	-------------	----------

---