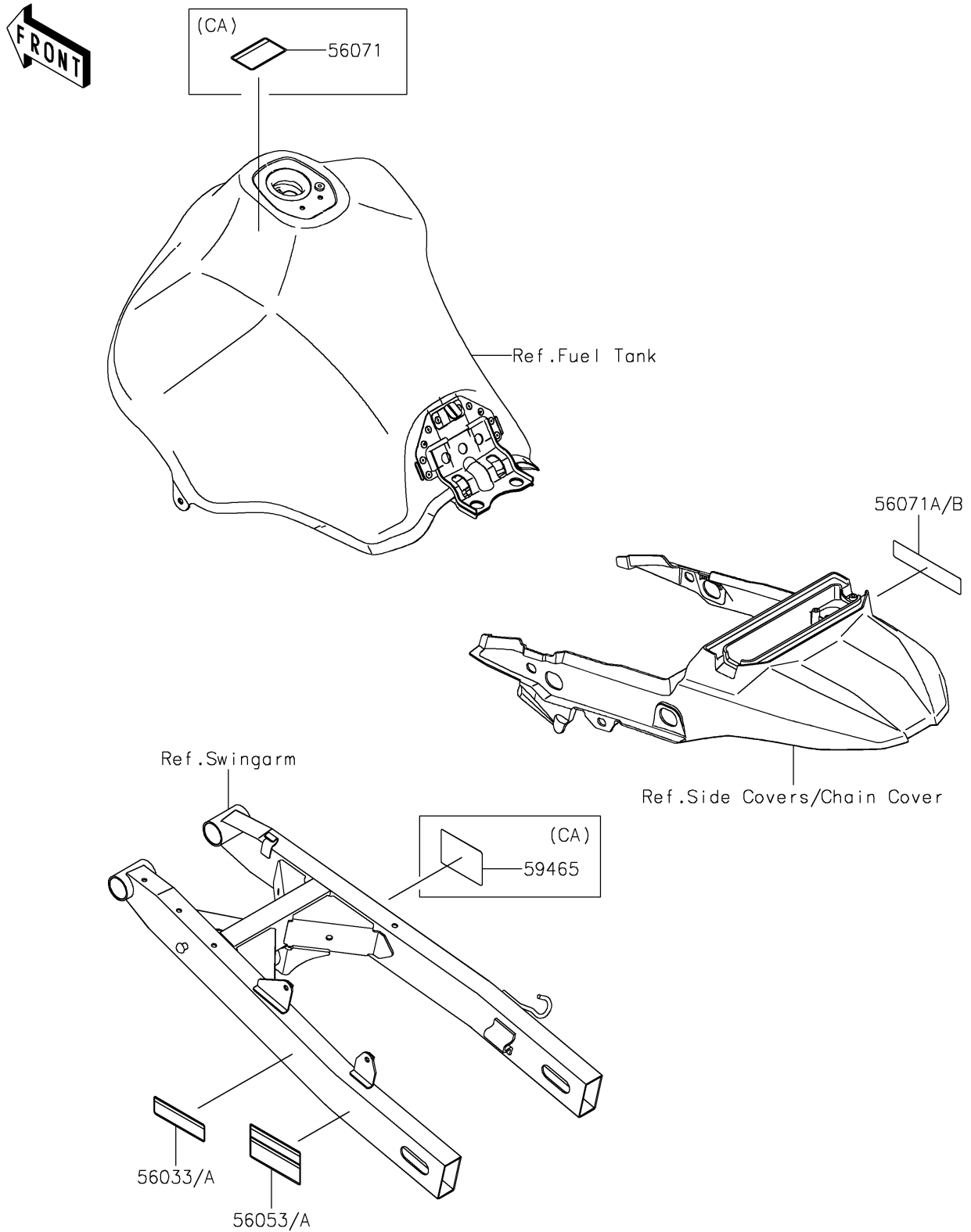


# 2024 KLR650 S

## PARTS DIAGRAM

### Labels

F2860



# 2024 KLR650 S

## PARTS LIST

### Labels



| ITEM NAME | PART NUMBER | QUANTITY |
|-----------|-------------|----------|
|-----------|-------------|----------|

---