

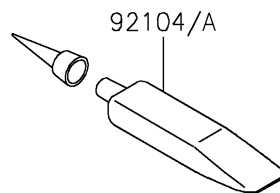
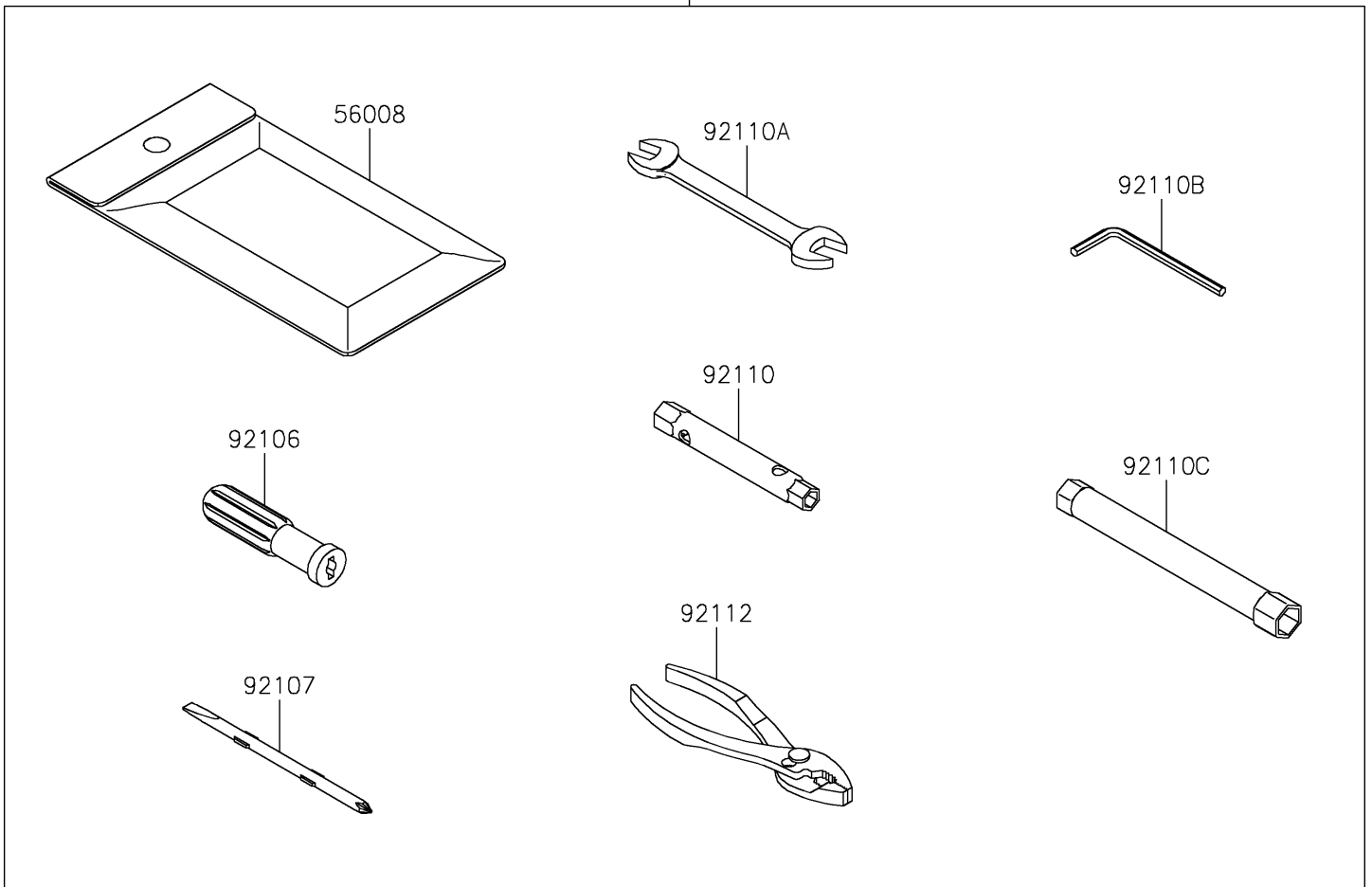
2024 KLR650 S

PARTS DIAGRAM

Owner's Tools

F2810

56007



2024 KLR650 S

PARTS LIST

Owner's Tools



ITEM NAME	PART NUMBER	QUANTITY
-----------	-------------	----------
