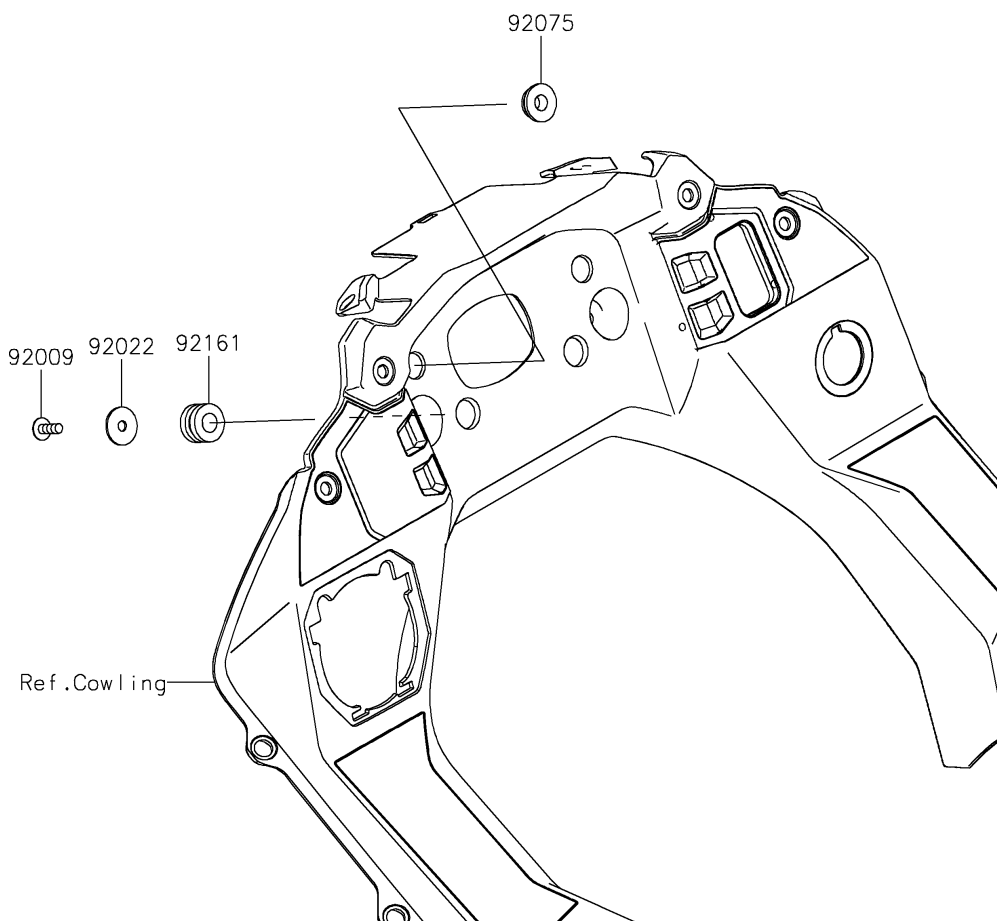
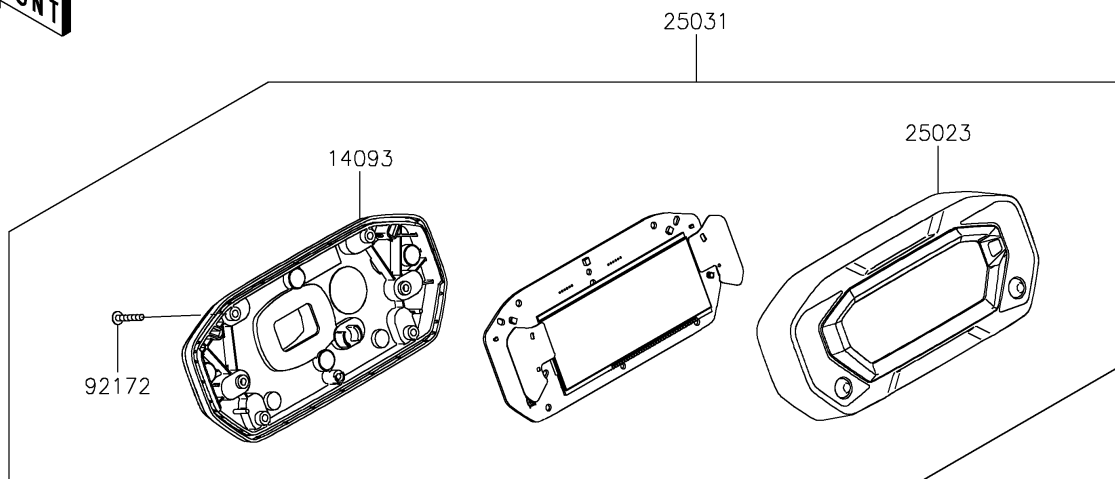


2024 KLR[®] 650 S

PARTS DIAGRAM

Meter(s)

F2530



2024 KLR[®] 650 S

PARTS LIST

Meter(s)

ITEM NAME

PART NUMBER

QUANTITY
