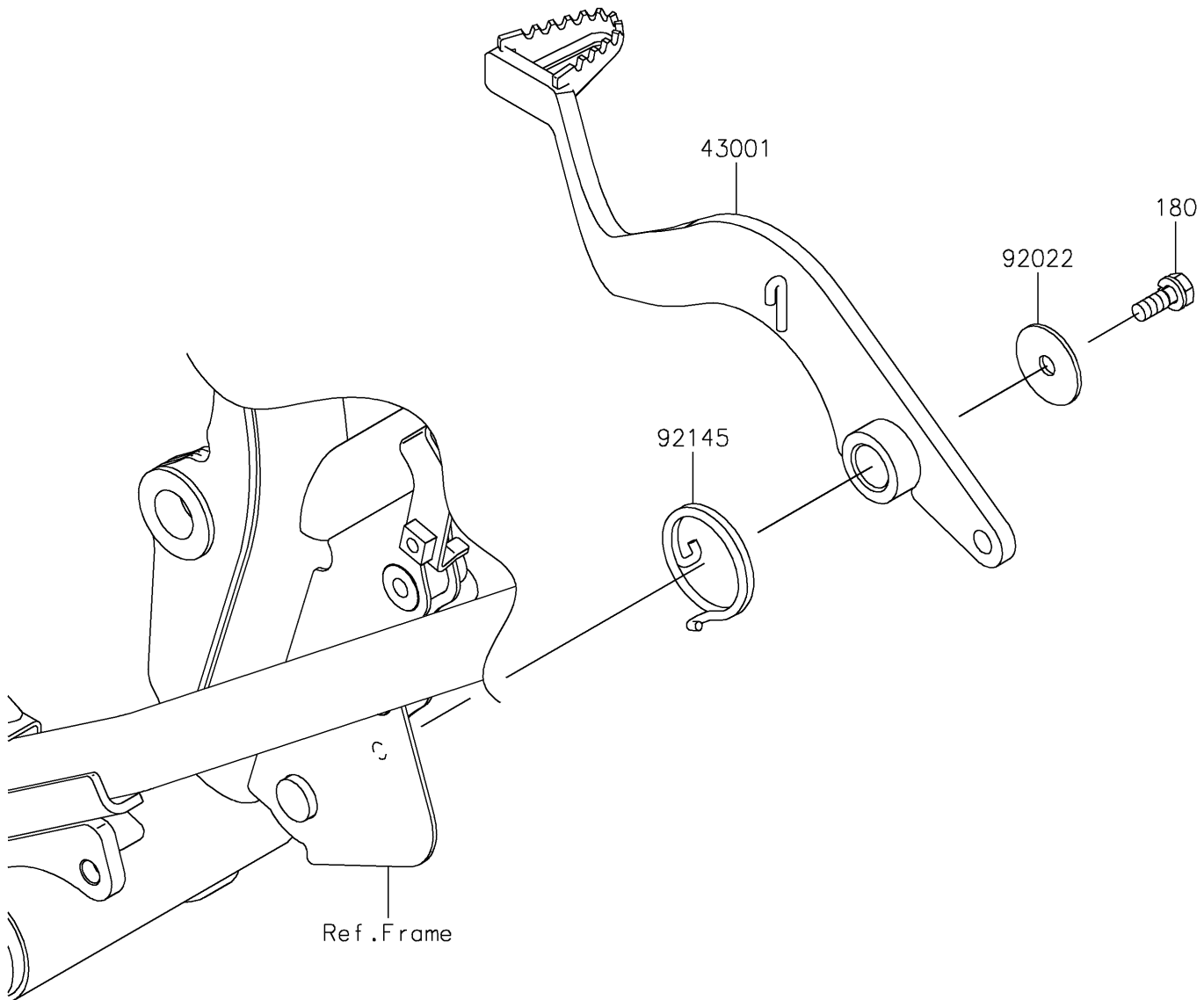


# 2024 KLR<sup>®</sup> 650 S

## PARTS DIAGRAM

### Brake Pedal

F2260



# 2024 KLR<sup>®</sup> 650 S

## PARTS LIST

### Brake Pedal

**ITEM NAME**

**PART NUMBER**

**QUANTITY**

---