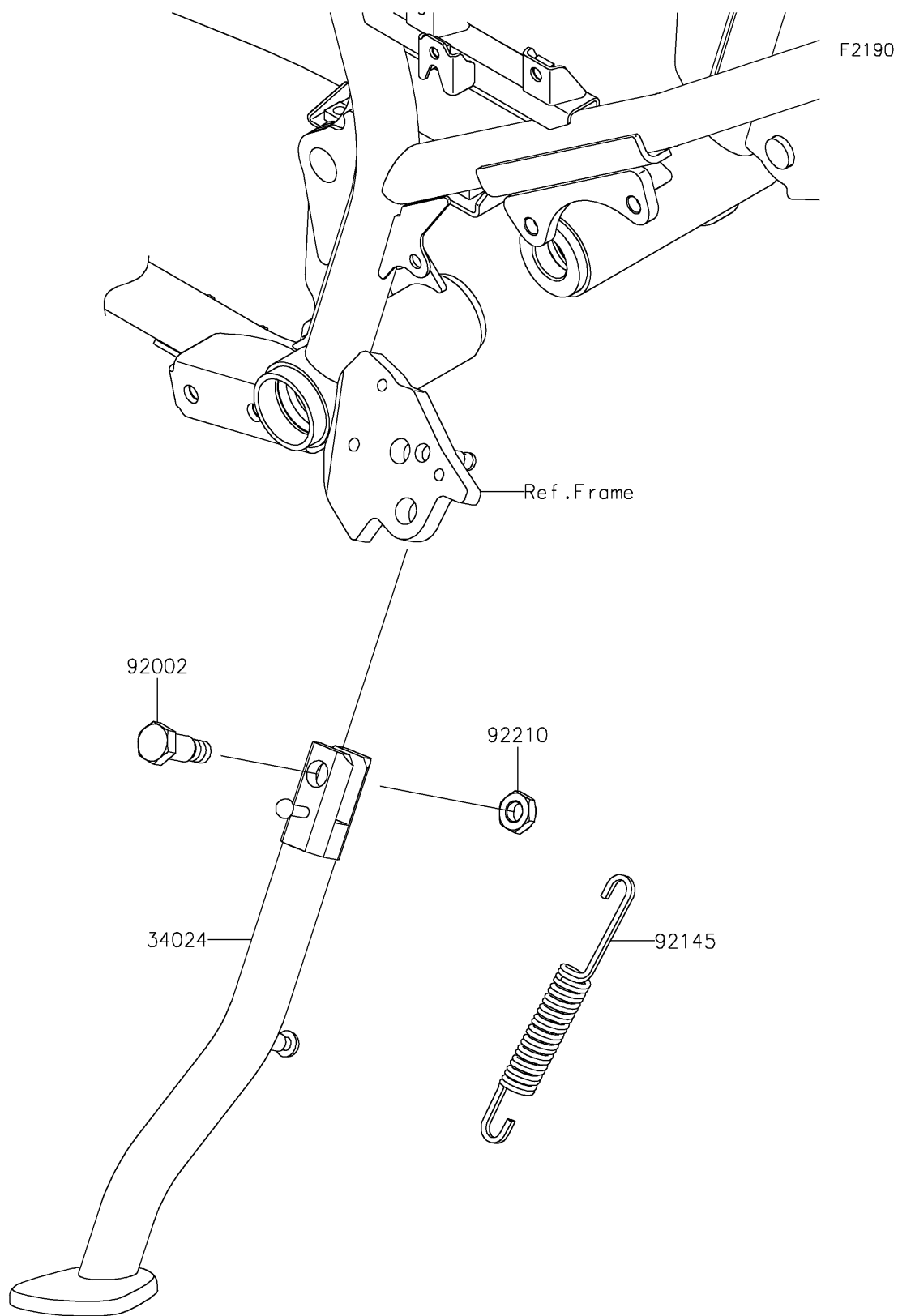


# 2025 KLR650 S

## PARTS DIAGRAM

Stand(s)



# 2025 KLR650 S

## PARTS LIST

Stand(s)

**ITEM NAME**

**PART NUMBER**

**QUANTITY**

---