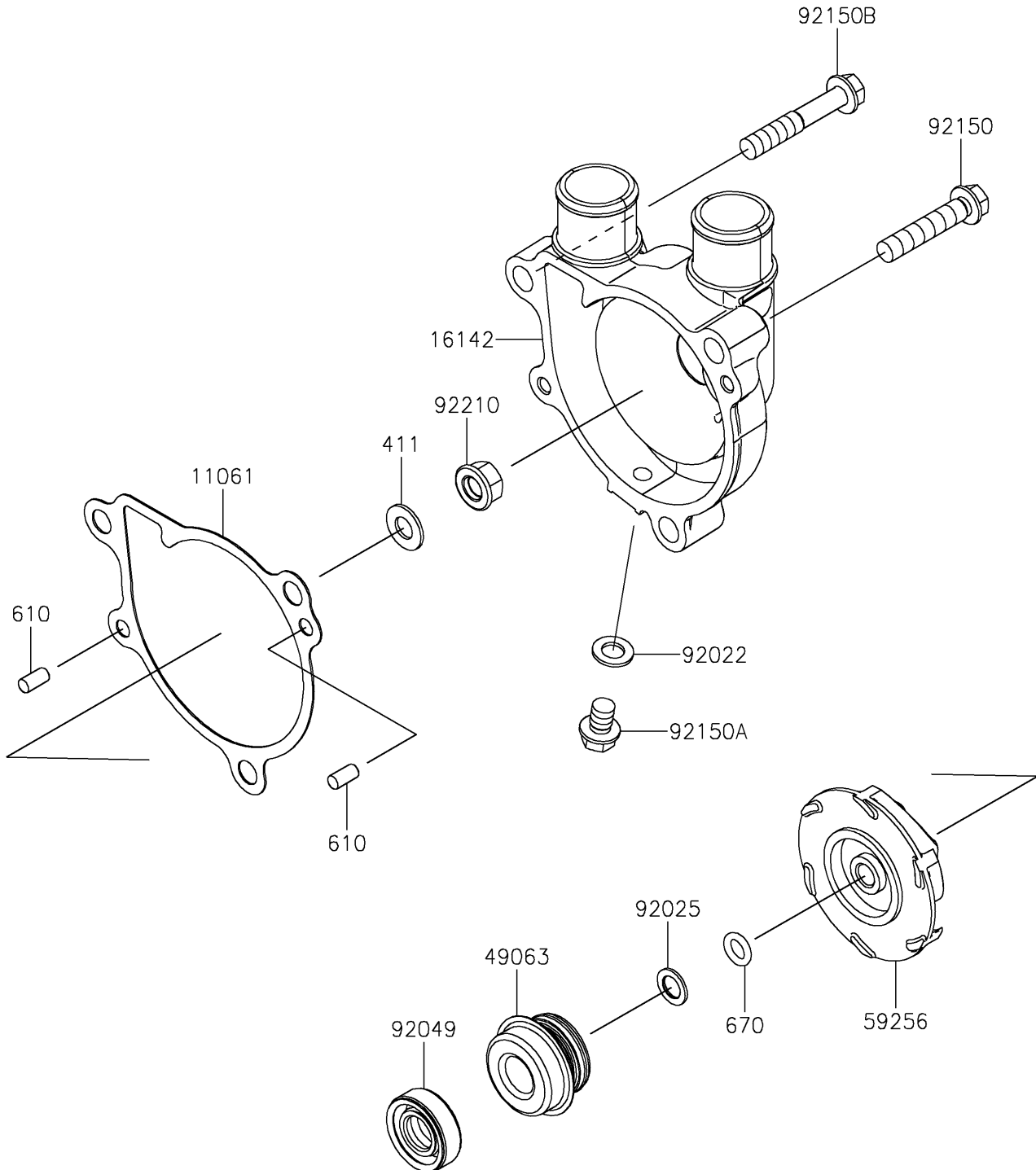


# 2025 KLR650 S

## PARTS DIAGRAM

### Water Pump

E3031



# 2025 KLR650 S

## PARTS LIST

### Water Pump



ITEM NAME	PART NUMBER	QUANTITY
-----------	-------------	----------

---