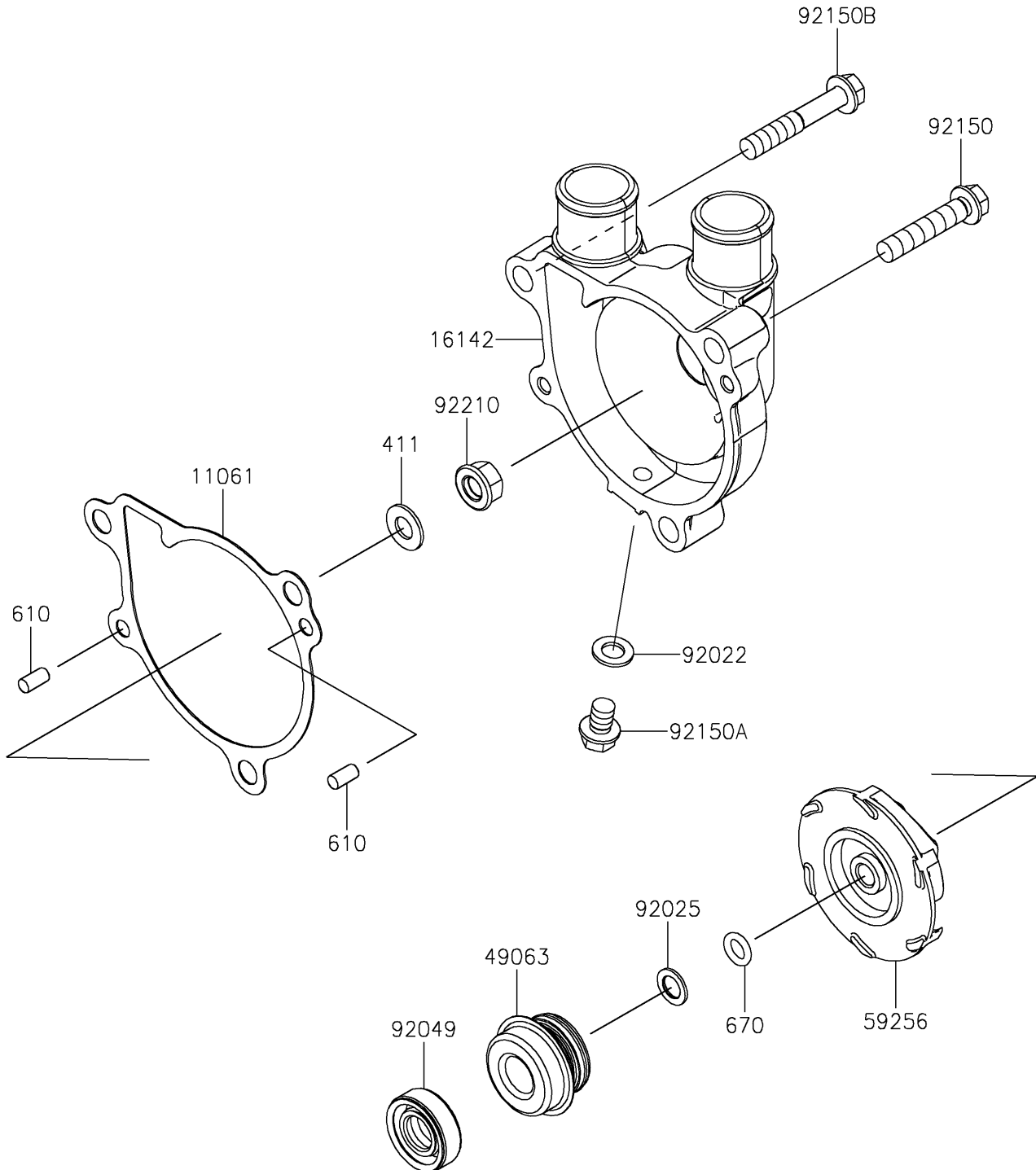


2024 KLR[®] 650 S

PARTS DIAGRAM

Water Pump

E3031



2024 KLR[®] 650 S

PARTS LIST

Water Pump



ITEM NAME	PART NUMBER	QUANTITY
-----------	-------------	----------
