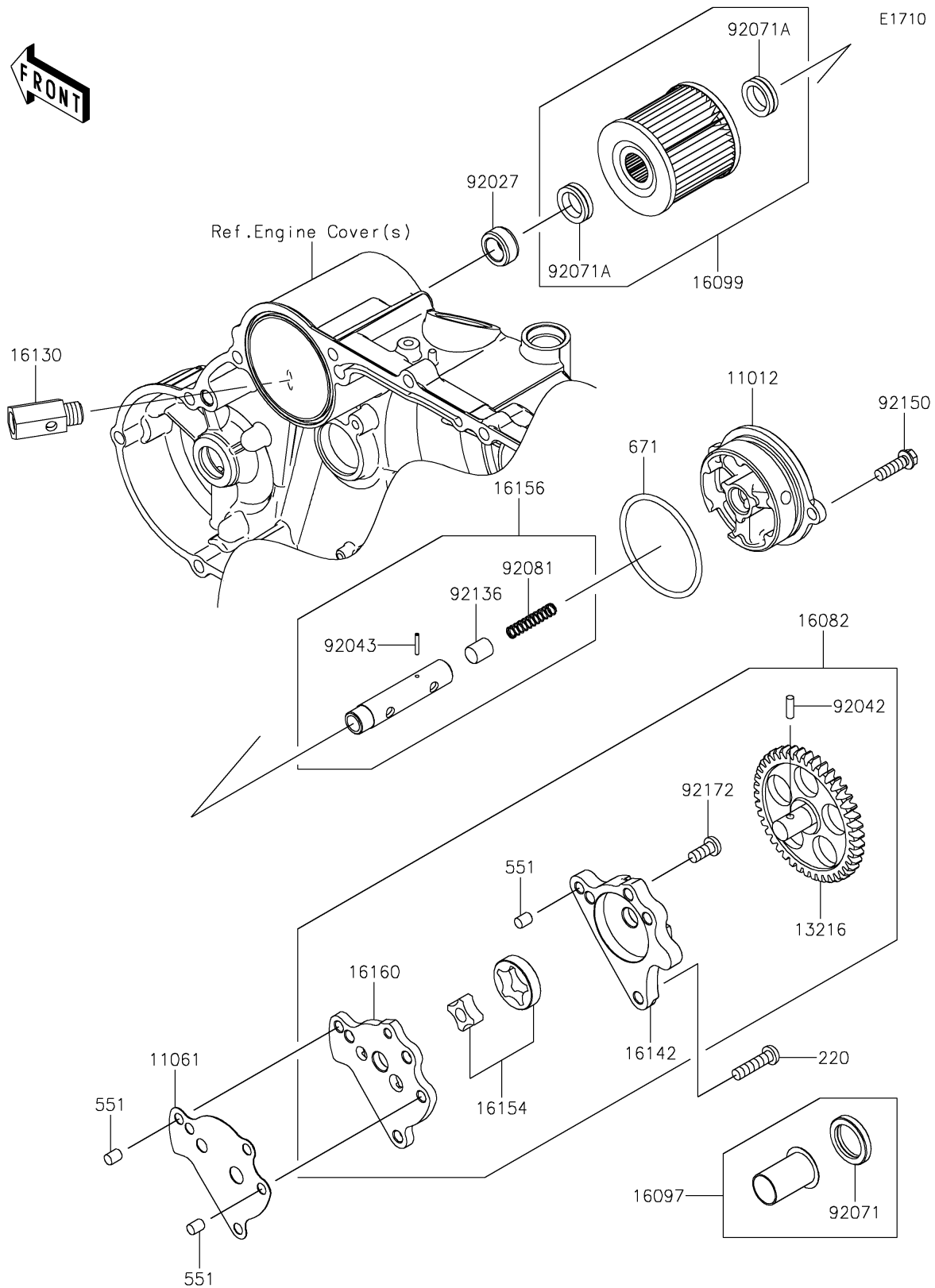


# 2024 KLR650 S

## PARTS DIAGRAM

### Oil Pump



# 2024 KLR650 S

## PARTS LIST

### Oil Pump



ITEM NAME	PART NUMBER	QUANTITY
-----------	-------------	----------

---