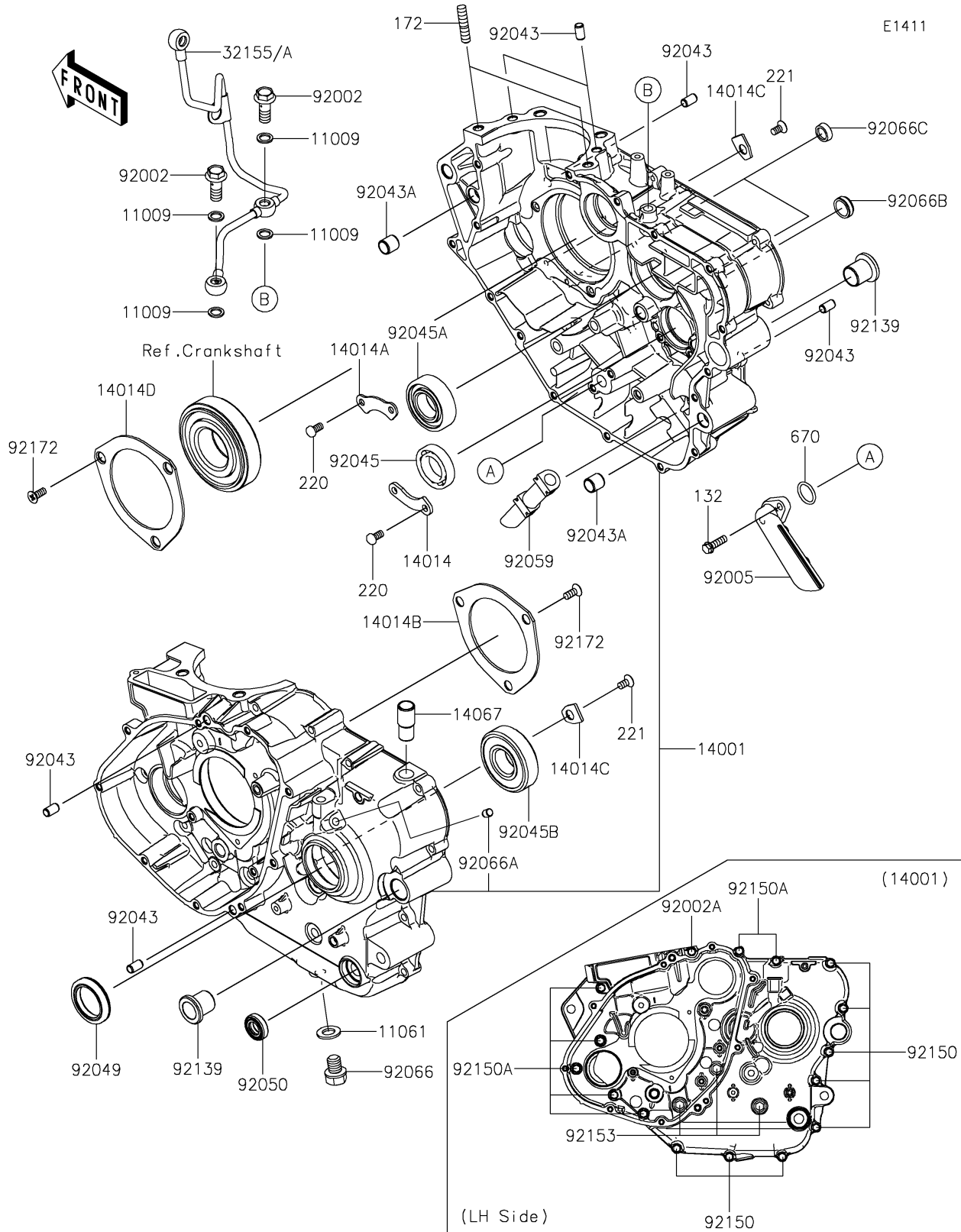


2024 KLR650 S

PARTS DIAGRAM

Crankcase



2024 KLR650 S

PARTS LIST

Crankcase



| ITEM NAME | PART NUMBER | QUANTITY |
|-----------|-------------|----------|
|-----------|-------------|----------|
